



## DMPSD

### 4-Tool Rework Station with DT530

This Plug & Play Guide corresponds to the following references:

Ref.

DMPSD-9QA (100 V)  
DMPSD-1QA (120 V)  
DMPSD-2QA (230 V)

#### Station

More Information on the  
product web page



## Packing List

The following items are included according to purchased station reference:



**DME**  
**4-Tool Control Unit** ..... 1 unit  
 Ref. DME-9A (100 V)  
 Ref. DME-1A (120 V)  
 Ref. DME-2A (230 V)

**MSE**  
**Electric Desoldering Module** ..... 1 unit  
 Ref. MSE-B



**T210**  
**Precision Handle** ..... 1 unit  
 Ref. T210-A

**T245**  
**General Purpose Handle** ..... 1 unit  
 Ref. T245-A



**AM120**  
**Adjustable Micro Tweezers** ..... 1 unit  
 Ref. AM120-A

**DT530**  
**Angled Desoldering Iron** ..... 1 unit  
 Ref. DT530-A



**ADS**  
Stand for T210 & T245 Handles ..... 2 units  
Ref. AD-SF



**AMS**  
Stand for AM120 Adjustable Micro Tweezers ..... 2 units  
Ref. AM-SF



**DTS**  
Stand for DT530 Angled Desoldering Iron ..... 2 units  
Ref. DT-SA



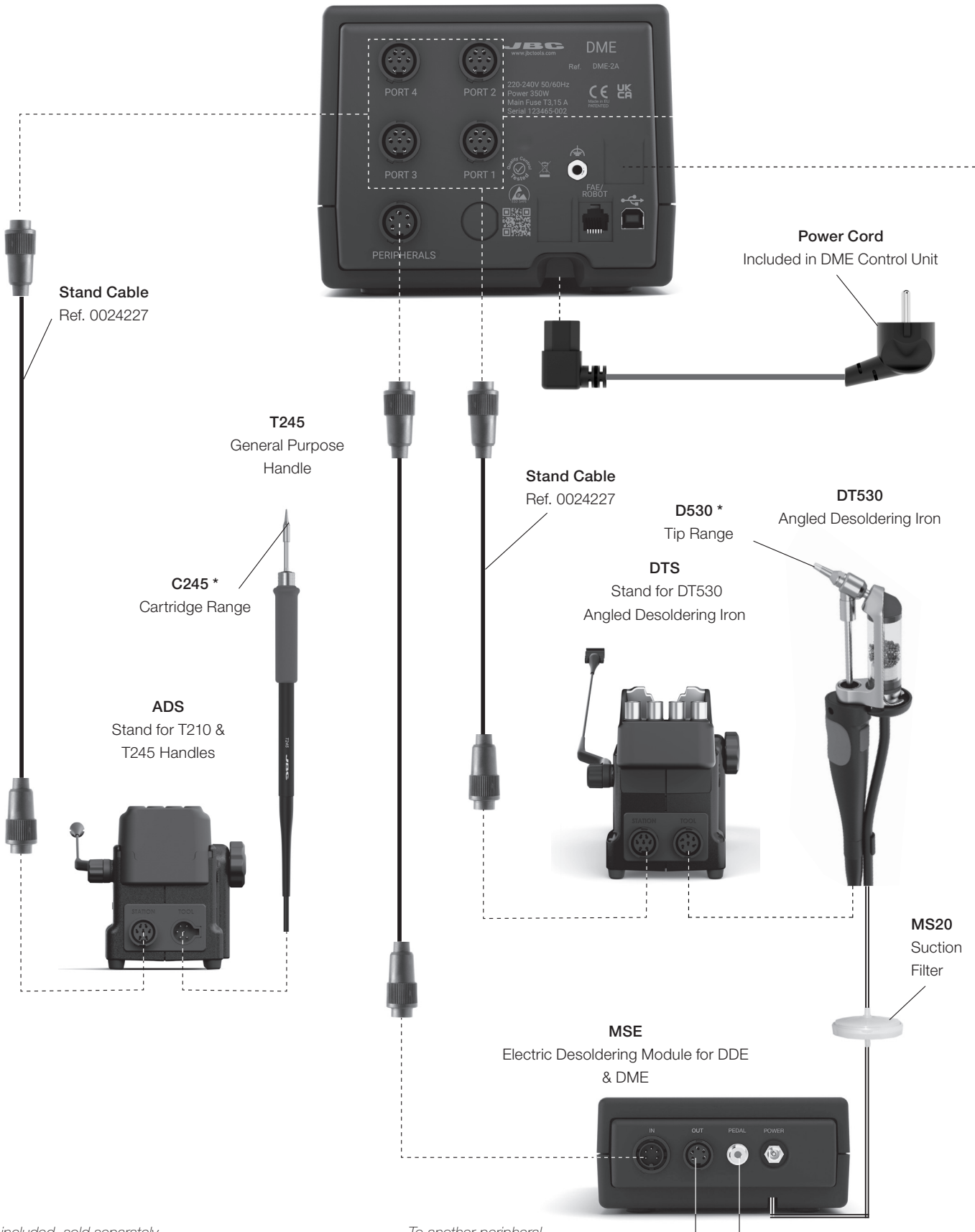
**P405**  
Pedal ..... 1 unit  
Ref. P-405



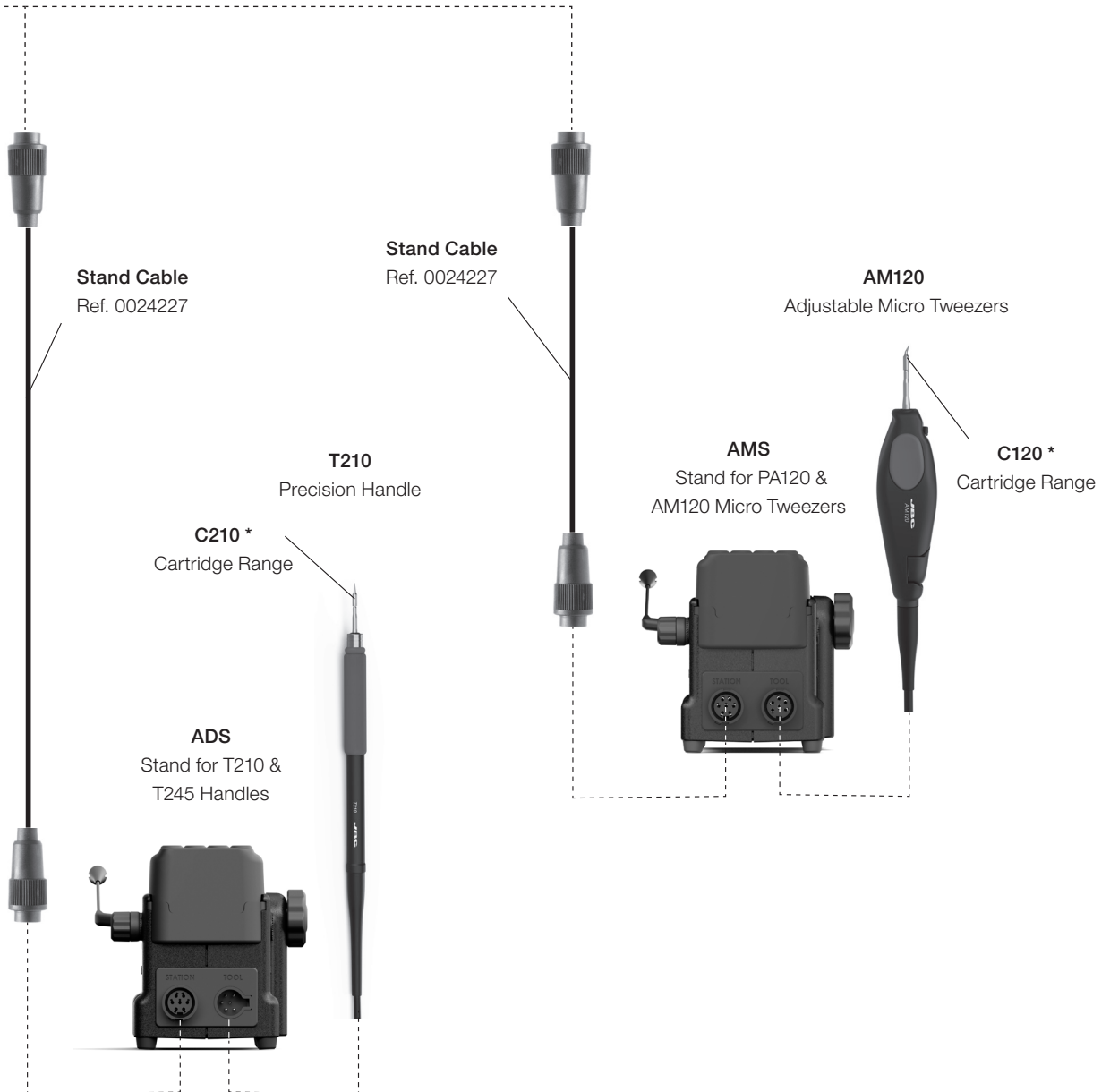
**SCH**  
Cartridge Holder ..... 1 unit  
Ref. SCH-A

# Installation

## DME 4-Tool Control Unit



\* Not included, sold separately.



**P405**  
Pedal



*\* Not included, sold separately.*





## Specifications

### DMPSD

#### 4-Tool Rework Station with DT530

Ref. **DMPSD-9QA** (100 V)

Ref. **DMPSD-1QA** (120 V)

Ref. **DMPSD-2QA** (230 V)

- Package Dimensions / Weight:  
(L x H x W)

700 x 410 x 390 mm / 17.85 kg

27.56 x 16.14 x 15.35 in / 39.36 lb

Complies with CE standards.

ESD safe.

# JBC

### Warranty

Information regarding the warranty of each product can be found on the final page of its instruction manual.



This product should not be thrown in the garbage.

In accordance with the European directive 2012/19/EU, electronic equipment at the end of its life must be collected and returned to an authorized recycling facility.