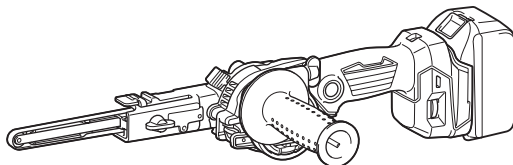




EN	Cordless Belt Sander	INSTRUCTION MANUAL	5
PL	Akumulatorowy Piłnik Taśmowy	INSTRUKCJA OBSŁUGI	10
HU	Akkumulátoros szalagcsiszoló	HASZNÁLATI KÉZIKÖNYV	16
SK	Akumulátorová pásová brúska	NÁVOD NA OBSLUHU	22
CS	Akumulátorová pásová bruska	NÁVOD K OBSLUZE	28
UK	Акумуляторна стрічкова шліфувальна машина	ІНСТРУКЦІЯ З ЕКСПЛУАТАЦІЇ	34
RO	Mașină de șlefuit cu bandă cu acumulator	MANUAL DE INSTRUCȚIUNI	40
DE	Akku-Bandfeile	BETRIEBSANLEITUNG	46

## DBS180



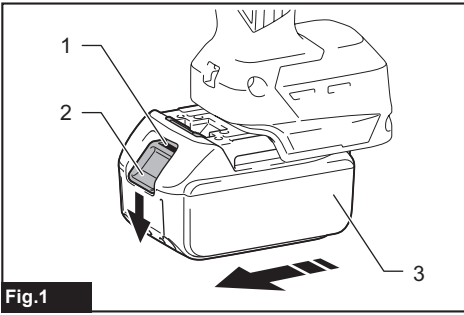


Fig.1

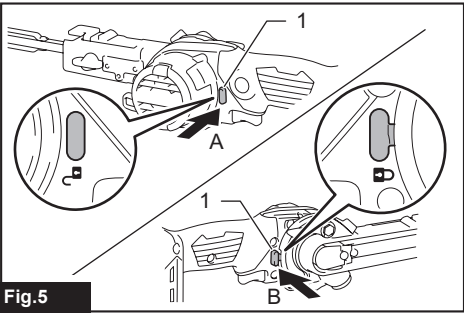


Fig.5



Fig.2

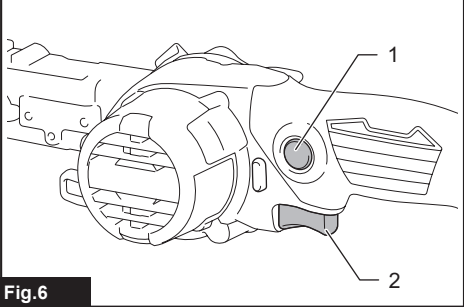


Fig.6

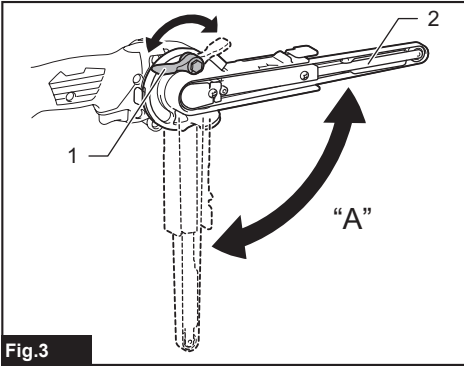


Fig.3

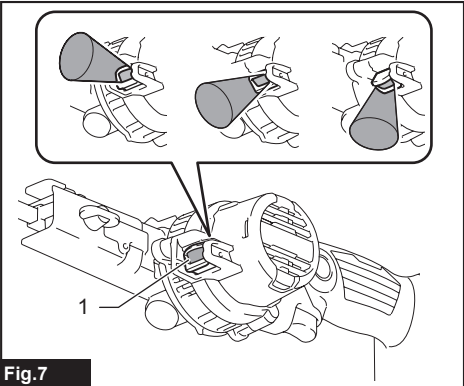


Fig.7

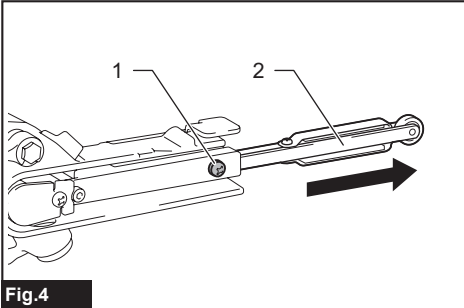


Fig.4

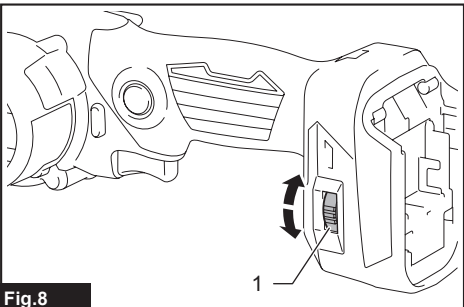
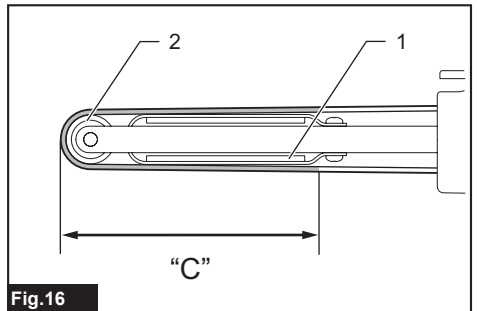
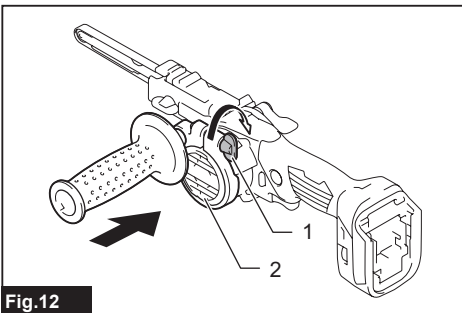
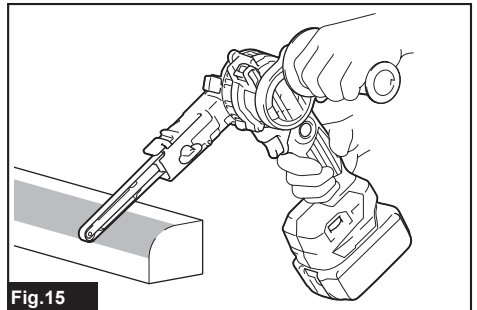
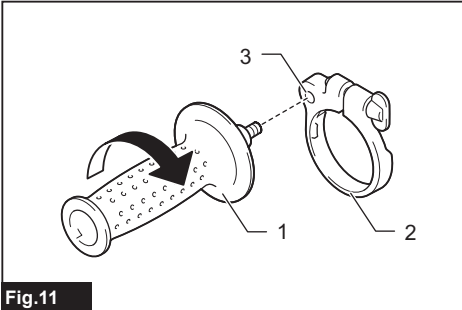
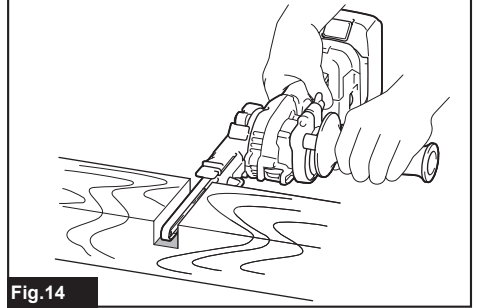
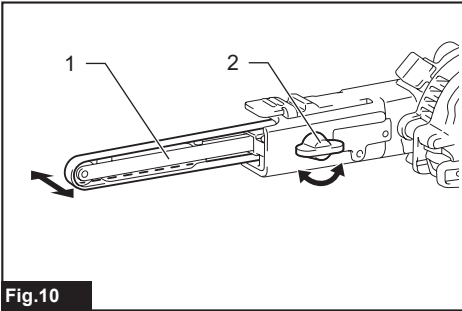
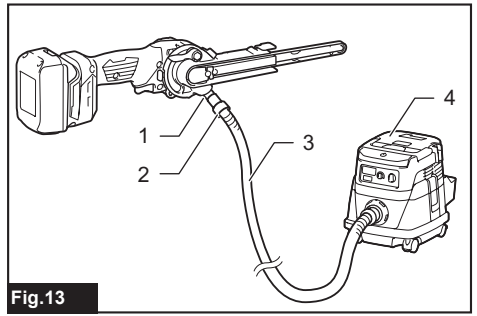
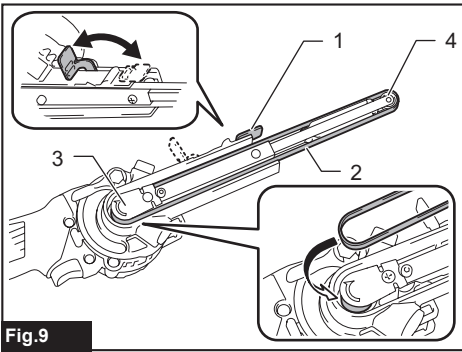


Fig.8



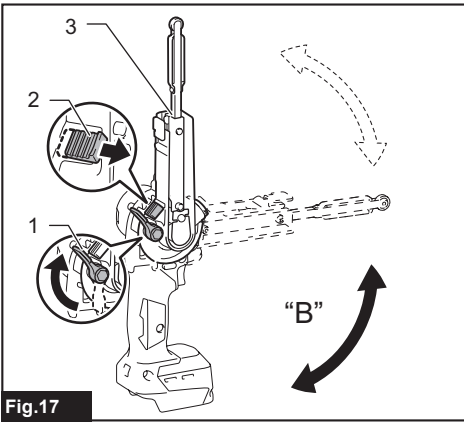


Fig.17

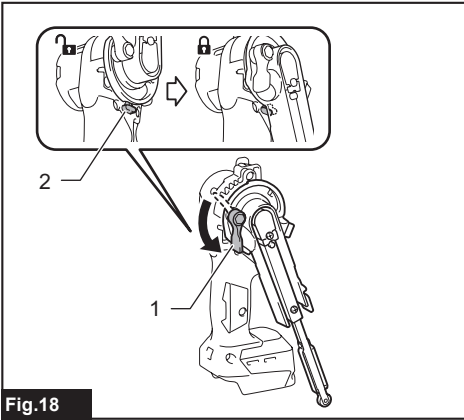


Fig.18

## SPECIFICATIONS

Model:	DBS180
Belt size	9 mm x 533 mm
Belt speed	600 - 1,700 m/min
Overall length	500 mm *1
Rated voltage	D.C. 18 V
Net weight	2.1 kg

\*1. With abrasive belt and battery cartridge (BL1860B).

- Due to our continuing program of research and development, the specifications herein are subject to change without notice.
- Specifications may differ from country to country.
- Weight, with battery cartridge, according to EPTA-Procedure 01/2014

## Applicable battery cartridge and charger

Battery cartridge	BL1815N / BL1820 / BL1820B / BL1830 / BL1830B / BL1840 / BL1840B / BL1850 / BL1850B / BL1860B
Charger	DC18RC / DC18RD / DC18RE / DC18SD / DC18SE / DC18SF / DC18SH

- Some of the battery cartridges and chargers listed above may not be available depending on your region of residence.

**⚠ WARNING: Only use the battery cartridges and chargers listed above.** Use of any other battery cartridges and chargers may cause injury and/or fire.

## Intended use

The tool is intended for the sanding of large surface of wood, plastic and metal materials as well as painted surfaces.

## Noise

The typical A-weighted noise level determined according to EN62841-2-4:

Sound pressure level ( $L_{pA}$ ) : 77 dB(A)  
Uncertainty (K) : 3 dB(A)

**NOTE:** The declared noise emission value(s) has been measured in accordance with a standard test method and may be used for comparing one tool with another.

**NOTE:** The declared noise emission value(s) may also be used in a preliminary assessment of exposure.

**⚠ WARNING: Wear ear protection.**

**⚠ WARNING: The noise emission during actual use of the power tool can differ from the declared value(s) depending on the ways in which the tool is used especially what kind of workpiece is processed.**

**⚠ WARNING: Be sure to identify safety measures to protect the operator that are based on an estimation of exposure in the actual conditions of use (taking account of all parts of the operating cycle such as the times when the tool is switched off and when it is running idle in addition to the trigger time).**

## Vibration

The vibration total value (tri-axial vector sum) determined according to EN62841-2-4:

Work mode: sanding metal plate  
Vibration emission ( $a_{h_v}$ ) : 2.5 m/s<sup>2</sup> or less  
Uncertainty (K) : 1.5 m/s<sup>2</sup>

**NOTE:** The declared vibration total value(s) has been measured in accordance with a standard test method and may be used for comparing one tool with another.

**NOTE:** The declared vibration total value(s) may also be used in a preliminary assessment of exposure.

**⚠ WARNING: The vibration emission during actual use of the power tool can differ from the declared value(s) depending on the ways in which the tool is used especially what kind of workpiece is processed.**

**⚠ WARNING: Be sure to identify safety measures to protect the operator that are based on an estimation of exposure in the actual conditions of use (taking account of all parts of the operating cycle such as the times when the tool is switched off and when it is running idle in addition to the trigger time).**

## EC Declaration of Conformity

*For European countries only*

The EC declaration of conformity is included as Annex A to this instruction manual.

# SAFETY WARNINGS

## General power tool safety warnings

**⚠WARNING:** Read all safety warnings, instructions, illustrations and specifications provided with this power tool. Failure to follow all instructions listed below may result in electric shock, fire and/or serious injury.

## Save all warnings and instructions for future reference.

The term "power tool" in the warnings refers to your mains-operated (corded) power tool or battery-operated (cordless) power tool.

## CORDLESS BELT SANDER SAFETY WARNINGS

1. Ventilate your work area adequately when you perform sanding operations.
2. Some material contains chemicals which may be toxic. Take caution to prevent dust inhalation and skin contact. Follow material supplier safety data.
3. Always use the correct dust mask/respirator for the material and application you are working with.
4. Always use safety glasses or goggles. Ordinary eye or sun glasses are NOT safety glasses.
5. Hold the tool firmly with both hands.
6. Make sure the belt is not contacting the workpiece before the switch is turned on.
7. Keep hands away from rotating parts.
8. Do not leave the tool running. Operate the tool only when hand-held.
9. This tool has not been waterproofed, so do not use water on the workpiece surface.

## SAVE THESE INSTRUCTIONS.

**⚠WARNING:** DO NOT let comfort or familiarity with product (gained from repeated use) replace strict adherence to safety rules for the subject product. MISUSE or failure to follow the safety rules stated in this instruction manual may cause serious personal injury.

## Important safety instructions for battery cartridge

1. Before using battery cartridge, read all instructions and cautionary markings on (1) battery charger, (2) battery, and (3) product using battery.
2. Do not disassemble or tamper the battery cartridge. It may result in a fire, excessive heat, or explosion.
3. If operating time has become excessively shorter, stop operating immediately. It may result in a risk of overheating, possible burns and even an explosion.
4. If electrolyte gets into your eyes, rinse them out with clear water and seek medical attention right away. It may result in loss of your eyesight.

5. Do not short the battery cartridge:
  - (1) Do not touch the terminals with any conductive material.
  - (2) Avoid storing battery cartridge in a container with other metal objects such as nails, coins, etc.
  - (3) Do not expose battery cartridge to water or rain.A battery short can cause a large current flow, overheating, possible burns and even a breakdown.
6. Do not store and use the tool and battery cartridge in locations where the temperature may reach or exceed 50 °C (122 °F).
7. Do not incinerate the battery cartridge even if it is severely damaged or is completely worn out. The battery cartridge can explode in a fire.
8. Do not nail, cut, crush, throw, drop the battery cartridge, or hit against a hard object to the battery cartridge. Such conduct may result in a fire, excessive heat, or explosion.

9. Do not use a damaged battery.
10. The contained lithium-ion batteries are subject to the Dangerous Goods Legislation requirements. For commercial transports e.g. by third parties, forwarding agents, special requirement on packaging and labeling must be observed. For preparation of the item being shipped, consulting an expert for hazardous material is required. Please also observe possibly more detailed national regulations. Tape or mask off open contacts and pack up the battery in such a manner that it cannot move around in the packaging.
11. When disposing the battery cartridge, remove it from the tool and dispose of it in a safe place. Follow your local regulations relating to disposal of battery.
12. Use the batteries only with the products specified by Makita. Installing the batteries to non-compliant products may result in a fire, excessive heat, explosion, or leak of electrolyte.
13. If the tool is not used for a long period of time, the battery must be removed from the tool.
14. During and after use, the battery cartridge may take on heat which can cause burns or low temperature burns. Pay attention to the handling of hot battery cartridges.
15. Do not touch the terminal of the tool immediately after use as it may get hot enough to cause burns.
16. Do not allow chips, dust, or soil stuck into the terminals, holes, and grooves of the battery cartridge. It may result in poor performance or breakdown of the tool or battery cartridge.
17. Unless the tool supports the use near high-voltage electrical power lines, do not use the battery cartridge near high-voltage electrical power lines. It may result in a malfunction or breakdown of the tool or battery cartridge.
18. Keep the battery away from children.

## SAVE THESE INSTRUCTIONS.

**⚠CAUTION:** Only use genuine Makita batteries. Use of non-genuine Makita batteries, or batteries that have been altered, may result in the battery bursting causing fires, personal injury and damage. It will also void the Makita warranty for the Makita tool and charger.

## Tips for maintaining maximum battery life

1. Charge the battery cartridge before completely discharged. Always stop tool operation and charge the battery cartridge when you notice less tool power.
2. Never recharge a fully charged battery cartridge. Overcharging shortens the battery service life.
3. Charge the battery cartridge with room temperature at 10 °C - 40 °C (50 °F - 104 °F). Let a hot battery cartridge cool down before charging it.
4. When not using the battery cartridge, remove it from the tool or the charger.
5. Charge the battery cartridge if you do not use it for a long period (more than six months).

## FUNCTIONAL DESCRIPTION

**CAUTION:** Always be sure that the tool is switched off and the battery cartridge is removed before adjusting or checking function on the tool.

## Installing or removing battery cartridge

**CAUTION:** Always switch off the tool before installing or removing of the battery cartridge.

**CAUTION:** Hold the tool and the battery cartridge firmly when installing or removing battery cartridge. Failure to hold the tool and the battery cartridge firmly may cause them to slip off your hands and result in damage to the tool and battery cartridge and a personal injury.

► Fig.1: 1. Red indicator 2. Button 3. Battery cartridge

To remove the battery cartridge, slide it from the tool while sliding the button on the front of the cartridge.

To install the battery cartridge, align the tongue on the battery cartridge with the groove in the housing and slip it into place. Insert it all the way until it locks in place with a little click. If you can see the red indicator on the upper side of the button, it is not locked completely.

**CAUTION:** Always install the battery cartridge fully until the red indicator cannot be seen. If not, it may accidentally fall out of the tool, causing injury to you or someone around you.

**CAUTION:** Do not install the battery cartridge forcibly. If the cartridge does not slide in easily, it is not being inserted correctly.

## Tool / battery protection system

The tool is equipped with a tool/battery protection system. This system automatically cuts off the power to extend tool and battery life. The tool will automatically stop during operation if the tool or battery is placed under one of the following conditions:

## Overload protection

This protection works when the tool is operated in a manner that causes it to draw an abnormally high current. In this situation, turn the tool off and stop the application that caused the tool to become overloaded. Then turn the tool on to restart.

## Overheat protection

This protection works when the tool or battery is overheated. In this situation, let the tool and battery cool before turning the tool on again.

## Overdischarge protection

This protection works when the remaining battery capacity gets low. In this situation, remove the battery from the tool and charge the battery.

## Indicating the remaining battery capacity

**Only for battery cartridges with the indicator**

► Fig.2: 1. Indicator lamps 2. Check button

Press the check button on the battery cartridge to indicate the remaining battery capacity. The indicator lamps light up for a few seconds.

Indicator lamps			Remaining capacity
Lighted	Off	Blinking	
■ ■ ■ ■			75% to 100%
■ ■ ■ □			50% to 75%
■ ■ □ □			25% to 50%
■ □ □ □			0% to 25%
▣ □ □ □			Charge the battery.
■ ■ □ □			The battery may have malfunctioned.
□ □ ■ ■			

**NOTE:** Depending on the conditions of use and the ambient temperature, the indication may differ slightly from the actual capacity.

**NOTE:** The first (far left) indicator lamp will blink when the battery protection system works.

## Adjusting arm inclination

The arm can be pivoted and fixed at any desired angle within the range "A" (-5° to 90°) in the figure. Adjust the angle to make a comfortable working position. Loosen the lock lever by raising it. Pivot the arm to the desired position, and secure the lock lever to fix the arm firmly.

► Fig.3: 1. Lock lever 2. Arm

## Replacing arm

6 mm (1/4") and 13 mm (1/2") width belts can be installed with the optional arms that are designed for the corresponding belt widths. Loosen the screw that secures the arm and replace the standard-equipped arm with the optional arm, then tighten the screw firmly.

► **Fig.4:** 1. Screw 2. Arm

## Switch action

**⚠ WARNING:** For your safety, this tool is equipped with the lock-off switch which prevents the tool from unintended starting. NEVER use the tool if it runs when you simply pull the switch trigger without releasing the lock-off switch. Return the tool to our authorized service center for proper repairs BEFORE further usage.

**⚠ CAUTION:** Before installing the battery cartridge into the tool, always check to see that the switch trigger actuates properly and returns to the "OFF" position when released. Operating a tool with a switch that does not actuate properly can lead to loss of control and serious personal injury.

**NOTICE:** Do not pull the switch trigger hard without releasing the lock-off switch. This can cause switch breakage.

**NOTICE:** The lock-off switch cannot be released while the arm is being pivoted beyond 90°.

To prevent the switch trigger from being accidentally pulled, a lock-off switch is provided. Depress the switch lever (A) from the A side to unlock the switch trigger, and (B) from the B side to lock in.

► **Fig.5:** 1. Lock-off switch

To start the tool, pull the switch trigger. Release the switch trigger to stop.

For continuous operation, pull the switch trigger and then push in the lock button. To stop the tool from the locked switch position, pull the switch trigger fully, and then release it.

► **Fig.6:** 1. Lock-on button 2. Switch trigger

## Lighting up the front lamp

**⚠ CAUTION:** Do not look in the light or see the source of light directly.

The lighting direction can be adjusted at three levels through an angle of 60°. Pull the switch trigger to turn on the lamp. To turn off, release it. The lamp goes out approximately 10 seconds after releasing the switch trigger.

► **Fig.7:** 1. Lamp

**NOTE:** When the tool is overheated, the light flashes for one minute. In this case, cool down the tool before operating again.

**NOTE:** Use a dry cloth to wipe the dirt off the lens of the lamp. Be careful not to scratch the lens of lamp, or it may lower the illumination.

## Speed adjusting dial

The belt speed can be adjusted between 600 m and 1,700 m per minute (1,970 - 5,600 ft/min) by turning the speed adjusting dial to a given number setting from 1 to 5.

Higher speed is obtained when the dial is turned in the direction of number 5; lower speed is obtained when it is turned in the direction of number 1. Select the proper speed for the workpiece to be sanded.

**⚠ CAUTION:** The speed adjusting dial can only be turned between the numbers indicated on the dial. Do not apply an excessive force to turn the dial outside that range, or the speed adjustment may not function.

► **Fig.8:** 1. Speed adjusting dial

## ASSEMBLY

**⚠ CAUTION:** Always be sure that the tool is switched off and the battery cartridge is removed before carrying out any work on the tool.

## Removing and installing abrasive belt

Pull the cam lever back to release the tension in the belt, and remove the belt.

To install the belt, place one side of the belt over the rear pulley in first, hook the other side over the front pulley, and then set the cam lever to the original position.

► **Fig.9:** 1. Cam lever 2. Abrasive belt 3. Rear pulley 4. Front pulley

## Adjusting belt tracking

Make sure that the belt is aligned with the arm properly on a trial run at low speed.

Use the thumb screw to center the belt tracking. Turn the screw clockwise to incline the arm to the right when looking down at the tool with its arm pointed forward, and in counterclockwise to the left.

► **Fig.10:** 1. Arm 2. Thumb screw

## Installing side grip

**⚠ CAUTION:** Securely tighten the thumb screw before operation.

**⚠ CAUTION:** Avoid exerting a strong external force on the side grip, otherwise the grip base becomes loosely attached and the tool may fall off causing damage or personal injury in the following conditions:

- Apply a full impact on the side grip during operation
- Handle the tool carelessly only with one hand on the side grip
- Carry the tool only with one hand on the side grip



The side grip (auxiliary handle) helps hold the tool firmly during operation.

1. Screw the grip into the fastening nut placed in the grip base.  
▶ **Fig.11:** 1. Grip 2. Grip base 3. Fastening nut
2. Loosen the thumb screw in the grip base. Attach the base to the barrel of the motor housing aligning the locking tab on the base with the shallow groove in the surface of the housing. Tighten the thumb screw to secure the grip.  
▶ **Fig.12:** 1. Thumb screw 2. Motor housing

## Connecting to Makita vacuum cleaner

**CAUTION:** Always close the nozzle cap when a vacuum cleaner is not connected to the nozzle. Never insert your finger into the nozzle.

**NOTICE:** Read the instruction manual supplied with your vacuum cleaner before using it.

**NOTE:** Optional front cuffs 22, joints or tool adapters may be required to make connections depending on your vacuum cleaner system.

Cleaner sanding operations can be performed by connecting the belt sander to Makita vacuum cleaner. Open the nozzle cap, and install the dust nozzle. Connect the hose of a vacuum cleaner to the dust nozzle.  
▶ **Fig.13:** 1. Dust nozzle 2. Front cuffs / joint / adapter 3. Hose of vacuum cleaner 4. Vacuum cleaner

## OPERATION

**CAUTION:** Secure workpiece with clamps, etc. if it possibly moves during operation.

**CAUTION:** Avoid any sanding operations on ignitable materials such as aluminum and magnesium. It may result in a fire, explosion or risk of injury.

**CAUTION:** Be sure that not any part of the sanding belt is placed on the surface of workpiece before you turn the tool on or off. Otherwise a poor sanding finish, damage to the belt or loss of control of the tool may result.

**CAUTION:** Avoid body contact with the belt and rotating parts of the tool during operation. Always be aware of your surroundings and bystanders, and stay alert for possible hazards.

**CAUTION:** Do not attempt to hold and operate the tool upside down. It may cause a serious accident resulting in personal injury.

Turn the tool on and wait until it attains full speed. Hold the tool firmly with both hands. Gently apply the tool to the workpiece surface and move the tool forward and backward.

- ▶ **Fig.14**  
▶ **Fig.15**

Always use the range "C" (between the end of flat shoe and front pulley) in the figure to sand the workpiece. Press the belt only lightly on the workpiece. Excessive pressure may damage the belt and shorten the life of the tool.

- ▶ **Fig.16:** 1. Flat shoe 2. Front pulley

## MAINTENANCE

**CAUTION:** Always be sure that the tool is switched off and the battery cartridge is removed before attempting to perform inspection or maintenance.

**NOTICE:** Never use gasoline, benzine, thinner, alcohol or the like. Discoloration, deformation or cracks may result.

To maintain product SAFETY and RELIABILITY, repairs, any other maintenance or adjustment should be performed by Makita Authorized or Factory Service Centers, always using Makita replacement parts.

## Storage

**CAUTION:** Be careful not to pinch your fingers when moving the arm. Failure to do so may cause personal injury.

The arm can move through an angle of up to 160°. Fold the arm up to save a storage space.

1. Loosen the lock lever by raising it. Pivot the arm at an angle of 90°.
2. Push and hold the slider knob, and then adjust the angle of the arm in the range "B" (90° to 160°) in the figure.  
▶ **Fig.17:** 1. Lock lever 2. Slider knob 3. Arm
3. Secure the lock lever to fix the arm.  
▶ **Fig.18:** 1. Lock lever 2. Lock-off switch

**NOTICE:** The lock-off switch is automatically activated while the arm is being pivoted beyond 90°.

## OPTIONAL ACCESSORIES

**CAUTION:** These accessories or attachments are recommended for use with your Makita tool specified in this manual. The use of any other accessories or attachments might present a risk of injury to persons. Only use accessory or attachment for its stated purpose.

If you need any assistance for more details regarding these accessories, ask your local Makita Service Center.

- Dust nozzle assembly
- Arm (6, 9, 13 mm (1/4", 3/8", 1/2"))
- Abrasive belts
- Dust cover complete
- Hose complete 28
- Front cuffs
- Makita genuine battery and charger

**NOTE:** Some items in the list may be included in the tool package as standard accessories. They may differ from country to country.

## DANE TECHNICZNE

Model:	DBS180
Rozmiar taśmy	9 mm x 533 mm
Prędkość taśmy	600 - 1 700 m/min
Długość całkowita	500 mm *1
Napięcie znamionowe	Prąd stały 18 V
Masa netto	2,1 kg

\*1. Z taśmą ścierną i akumulatorem (BL1860B).

- W związku ze stale prowadzonym przez naszą firmę programem badawczo-rozwojowym niniejsze dane mogą ulec zmianom bez wcześniejszego powiadomienia.
- Dane techniczne mogą różnić się w zależności od kraju.
- Masa urządzenia wraz z akumulatorem obliczona zgodnie z procedurą EPTA 01/2014

## Kompatybilne akumulatory i ładowarki

Akumulator	BL1815N / BL1820 / BL1820B / BL1830 / BL1830B / BL1840 / BL1840B / BL1850 / BL1850B / BL1860B
Ładowarka	DC18RC / DC18RD / DC18RE / DC18SD / DC18SE / DC18SF / DC18SH

- Pewne z wymienionych powyżej akumulatorów i ładowarek mogą być niedostępne w regionie zamieszkania użytkownika.

**⚠ OSTRZEŻENIE:** Należy używać wyłącznie akumulatorów i ładowarek wymienionych powyżej. Używanie innych akumulatorów i ładowarek może stwarzać ryzyko wystąpienia obrażeń ciała lub pożaru.

## Przeznaczenie

Opisywane narzędzie jest przeznaczone do szlifowania dużych powierzchni materiałów z drewna, tworzywa sztucznego i metalu, jak również do szlifowania powierzchni malowanych.

## Hałas

Typowy równoważny poziom dźwięku A określony w oparciu o normę EN62841-2-4:

Poziom ciśnienia akustycznego ( $L_{pA}$ ): 77 dB(A)

Niepewność (K): 3 dB(A)

**WSKAZÓWKA:** Deklarowana wartość emisji hałasu została zmierzona zgodnie ze standardową metodą testową i można ją wykorzystać do porównywania narzędzi.

**WSKAZÓWKA:** Deklarowaną wartość emisji hałasu można także wykorzystać we wstępnej ocenie narażenia.

**⚠ OSTRZEŻENIE:** Nosić ochronniki słuchu.

**⚠ OSTRZEŻENIE:** Poziom hałasu wytwarzanego podczas rzeczywistego użytkowania elektronarzędzia może się różnić od wartości deklarowanej w zależności od sposobu użytkowania narzędzia, a w szczególności od rodzaju obrabianego elementu.

**⚠ OSTRZEŻENIE:** W oparciu o szacowane narażenie w rzeczywistych warunkach użytkowania należy określić środki bezpieczeństwa w celu zapewnienia ochrony operatora (uwzględniając wszystkie elementy cyklu działania, tj. czas, kiedy narzędzie jest wyłączone i kiedy pracuje na biegu jałowym, a także czas, kiedy jest włączone).

## Drgania

Całkowita wartość poziomu drgań (suma wektorów w 3 osiach) określona zgodnie z normą EN62841-2-4:

Tryb pracy: praca bez obciążenia

Emisja drgań ( $a_{rh}$ ): 2,5  $m/s^2$  lub mniej

Niepewność (K): 1,5  $m/s^2$

**WSKAZÓWKA:** Deklarowana wartość poziomu drgań została zmierzona zgodnie ze standardową metodą testową i można ją wykorzystać do porównywania narzędzi.

**WSKAZÓWKA:** Deklarowaną wartość poziomu drgań można także wykorzystać we wstępnej ocenie narażenia.

**⚠ OSTRZEŻENIE:** Drgania wytwarzane podczas rzeczywistego użytkowania elektronarzędzia mogą się różnić od wartości deklarowanej w zależności od sposobu użytkowania narzędzia, a w szczególności od rodzaju obrabianego elementu.

**⚠ OSTRZEŻENIE:** W oparciu o szacowane narażenie w rzeczywistych warunkach użytkowania należy określić środki bezpieczeństwa w celu zapewnienia ochrony operatora (uwzględniając wszystkie elementy cyklu działania, tj. czas, kiedy narzędzie jest wyłączone i kiedy pracuje na biegu jałowym, a także czas, kiedy jest włączone).

## Deklaracja zgodności WE

*Dotyczy tylko krajów europejskich*

Deklaracja zgodności WE jest dołączona jako załącznik A do niniejszej instrukcji obsługi.

# OSTRZEŻENIA DOTYCZĄCE BEZPIECZEŃSTWA

## Ogólne zasady bezpiecznej eksploatacji elektronarzędzi

**⚠ OSTRZEŻENIE:** Należy zapoznać się z ostrzeżeniami dotyczącymi bezpieczeństwa, instrukcjami, ilustracjami i danymi technicznymi dołączonymi do tego elektronarzędzia. Niezastosowanie się do podanych poniżej instrukcji może prowadzić do porażenia prądem, pożaru i/lub poważnych obrażeń ciała.

## Wszystkie ostrzeżenia i instrukcje należy zachować do wykorzystania w przyszłości.

Pojęcie „elektronarzędzie”, występujące w wymienionych tu ostrzeżeniach, odnosi się do elektronarzędzia zasilanego z sieci elektrycznej (z przewodem zasilającym) lub do elektronarzędzia akumulatorowego (bez przewodu zasilającego).

## OSTRZEŻENIA DOTYCZĄCE BEZPIECZNEJ EKSPLOATACJI AKUMULATOROWEGO PILNIKA TAŚMOWEGO

1. Podczas szlifowania w miejscu pracy należy zapewnić odpowiednią wentylację.
2. Niektóre materiały zawierają substancje chemiczne, które mogą być toksyczne. Unikać wdychania pyłu i kontaktu pyłu ze skórą. Przestrzegać przepisów bezpieczeństwa podanych przez dostawcę materiałów.
3. Zawsze należy zakładać maskę przeciwpyłową/ oddechową odpowiednią dla danego materiału bądź zastosowania.
4. Należy zawsze używać okularów ochronnych lub gogli. Zwykle okulary bądź okulary przeciwświatłowe NIE są okularami ochronnymi.
5. Narzędzie należy trzymać mocno obręcz.
6. Przed włączeniem narzędzia upewnić się, czy taśma nie dotyka obrabianego elementu.
7. Trzymać ręce z dala od części obrotowych.
8. Nie pozostawiać narzędzia włączonego. Narzędzie można uruchomić tylko wtedy, gdy jest trzymane w rękach.
9. Narzędzie nie jest wodoodporne, więc do szlifowania powierzchni nie wolno używać wody.

## ZACHOWAĆ NINIEJSZE INSTRUKCJE.

**⚠ OSTRZEŻENIE:** NIE WOLNO pozwolić, aby wygoda lub rutyna (nabyta w wyniku wielokrotnego używania urządzenia) zastąpiły ścisłe przestrzeganie zasad bezpieczeństwa obsługi. **NIEWŁAŚCIWE UŻYTKOWANIE** narzędzia lub niestosowanie się do zasad bezpieczeństwa podanych w niniejszej instrukcji obsługi może prowadzić do poważnych obrażeń ciała.

## Ważne zasady bezpieczeństwa dotyczące akumulatora

1. Przed użyciem akumulatora zapoznać się ze wszystkimi instrukcjami i znakami ostrzegawczymi na (1) ładowarce, (2) akumulatorze i (3) produkcie, w którym będzie używany akumulator.
2. Nie rozmontowywać ani modyfikować akumulatora. Może to spowodować pożar, przegrzanie lub wybuch.
3. Jeśli czas działania uległ znacznemu skróceniu, należy natychmiast przerwać pracę. Może bowiem dojść do przegrzania, ewentualnych poparzeń, a nawet eksplozji.
4. W przypadku przedostania się elektrolitu do oczu, przemyć je czystą wodą i niezwłocznie uzyskać pomoc lekarską. Może on bowiem spowodować utratę wzroku.
5. Nie doprowadzać do zwarcia akumulatora:
  - (1) Nie dotykać styków materiałami przewodzącymi prąd.
  - (2) Unikać przechowywania akumulatora w pojemniku z metalowymi przedmiotami, takimi jak gwoździe, monety itp.
  - (3) Chronić akumulator przed deszczem lub wodą.Zwarcie prowadzi do przepływu prądu elektrycznego o dużym natężeniu i przegrzania akumulatora, co w konsekwencji może grozić poparzeniami a nawet awarią urządzenia.
6. Narzędzia i akumulatora nie wolno przechowywać ani używać w miejscach, w których temperatura osiąga bądź przekracza 50°C (122°F).
7. Akumulatorów nie wolno spalać, również tych poważnie uszkodzonych lub całkowicie zużytych. Akumulator może eksplodować w ogniu.
8. Nie należy przecinać ani zginać akumulatora, wbijać w niego gwoździ, rzucać nim, upuszczać, ani uderzać akumulatorem o twarde objekty. Takie działanie może spowodować pożar, przegrzanie lub wybuch.
9. Nie wolno używać uszkodzonego akumulatora.
10. Stanowiące wyposażenie akumulatory litowo-jonowe podlegają przepisom dotyczącym produktów niebezpiecznych.

Na potrzeby transportu komercyjnego, np. świadczony przez firmy trzecie czy spedycyjne, należy przestrzegać specjalnych wymagań w zakresie pakowania i oznaczania etykietami. Przygotowanie produktu do wysyłki wymaga skonsultowania się ze specjalistą ds. materiałów niebezpiecznych. Należy także przestrzegać przepisów krajowych, które mogą być bardziej szczegółowe. Zakleić taśmą lub zaślepić otwarte styki akumulatora oraz zabezpieczyć go, aby nie mógł się przesuwać w opakowaniu.
11. Jeśli zajdzie konieczność utylizacji akumulatora, należy wyjąć go z narzędzia i przekazać w bezpieczne miejsce. Postępować zgodnie z przepisami lokalnymi dotyczącymi utylizacji akumulatorów.

12. **Używać akumulatorów tylko z produktami określonymi przez firmę Makita.** Zastosowanie akumulatorów w niezgodnych produktach może spowodować pożar, przegrzanie, wybuch lub wyciek elektrolitu.
13. **Jeśli narzędzie nie będzie używane przez dłuższy czas, należy wyjąć z niego akumulator.**
14. **Przed użyciem akumulatora i po jego użyciu akumulator może pozostawać nagrany, co może spowodować poparzenia lub poparzenia w niskiej temperaturze. Z gorącym akumulatorem należy obchodzić się ostrożnie.**
15. **Nie należy dotykać styku narzędzia bezpośrednio po jego użyciu, ponieważ może on być na tyle gorący, że spowoduje oparzenia.**
16. **Nie należy dopuszczać, aby wióry, kurz lub błoto gromadziły się na stykach, w otworach i rowkach akumulatora.** Może to spowodować obniżenie wydajności lub uszkodzenie narzędzia lub akumulatora.
17. **Jeśli narzędzie nie jest przeznaczone do użytku w pobliżu linii wysokiego napięcia, nie należy korzystać z akumulatora w ich sąsiedztwie.** Może to spowodować nieprawidłowości w działaniu lub uszkodzenie narzędzia lub akumulatora.
18. **Przechowywać akumulator w miejscu niedostępnym dla dzieci.**

## ZACHOWAĆ NINIEJSZE INSTRUKCJE.

**▲PRZESTROGA:** Używać wyłącznie oryginalnych akumulatorów firmy Makita. Używanie nieoryginalnych akumulatorów firm innych niż Makita lub akumulatorów, które zostały zmodyfikowane, może spowodować wybuch akumulatora i pożar, obrażenia ciała oraz zniszczenie mienia. Stanowi to również naruszenie warunków gwarancji firmy Makita dotyczących narzędzia i ładowarki.

## Wskazówki dotyczące zachowania maksymalnej trwałości akumulatora

1. **Akumulator należy naładować zanim zostanie do końca rozładowany. Po zauważeniu spadku mocy narzędzia należy przerwać pracę i naładować akumulator.**
2. **Nie wolno ładować powtórnie w pełni naładowanego akumulatora. Przeładowanie akumulatora skraca jego trwałość.**
3. **Akumulator należy ładować w temperaturze pokojowej w przedziale 10–40°C (50–104°F). W przypadku gorącego akumulatora przed przystąpieniem do ładowania należy poczekać, aż ostygnie.**
4. **Jeśli akumulator nie jest używany, należy go wyjąć z narzędzia lub ładowarki.**
5. **Akumulatory niklowo-wodorkowe należy naładować po okresie długiego nieużytkowania (dłuższego niż sześć miesięcy).**

## OPIS DZIAŁANIA

**▲PRZESTROGA:** Przed przystąpieniem do regulacji lub przeglądu narzędzia upewnić się, że jest ono wyłączone, a akumulator został wzięty.

## Wkładanie i wyjmowanie akumulatora

**▲PRZESTROGA:** Przed włożeniem lub wyjęciem akumulatora należy zawsze wyłączyć narzędzie.

**▲PRZESTROGA:** Podczas wkładania lub wyjmowania akumulatora należy mocno trzymać narzędzie i akumulator. W przeciwnym razie mogą się one wyślizgnąć z ręką, powodując uszkodzenie narzędzia lub akumulatora i obrażenia ciała.

- **Rys.1:** 1. Czerwony wskaźnik 2. Przycisk  
3. Akumulator

Aby wyjąć akumulator, przesunąć przycisk znajdujący się w przedniej jego części i wysunąć akumulator.

Aby włożyć akumulator, wyrównaj występ na akumulatorze z rowkiem w obudowie i wsuń go na swoje miejsce. Akumulator należy wsunąć do oporu, aż się zatrzaśnie na miejscu, co jest sygnalizowane delikatnym kliknięciem. Jeśli w górnej części przycisku jest widoczny czerwony wskaźnik, akumulator nie został całkowicie zatrzaśnięty.

**▲PRZESTROGA:** Akumulator należy włożyć do końca, tak aby czerwony wskaźnik nie był widoczny. W przeciwnym razie może przypadkowo wypaść z narzędzia, powodując obrażenia operatora lub osób postronnych.

**▲PRZESTROGA:** Nie wkładać akumulatora na siłę. Jeśli akumulator nie daje się swobodnie wsunąć, oznacza to, że został włożony nieprawidłowo.

## Układ zabezpieczenia narzędzia/akumulatora

Narzędzie jest wyposażone w układ zabezpieczenia narzędzia/akumulatora. Układ ten automatycznie odcina zasilanie w celu wydłużenia trwałości narzędzia i akumulatora. Narzędzie zostanie automatycznie zatrzymane podczas pracy w następujących sytuacjach związanych z narzędziem lub akumulatorem:

### Zabezpieczenie przed przeciążeniem

To zabezpieczenie jest aktywowane, gdy narzędzie obsługiwane jest w sposób powodujący nadmiernie wysoki pobór prądu. W takiej sytuacji należy wyłączyć narzędzie i zaprzestać wykonywania czynności powodującej jego przeciążenie. Następnie należy włączyć narzędzie w celu ponownego uruchomienia.

### Zabezpieczenie przed przegrzaniem

To zabezpieczenie jest aktywowane w przypadku przegrzania narzędzia lub akumulatora. W takiej sytuacji należy odczekać, aż narzędzie i akumulator ostygną przed ponownym włączeniem narzędzia.

## Zabezpieczenie przed nadmiernym rozładowaniem











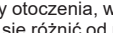
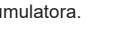
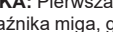



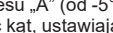
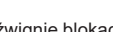
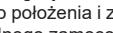
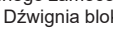

To zabezpieczenie jest aktywowane, gdy stan naładowania akumulatora jest niski. W takiej sytuacji należy wyjąć akumulator z narzędzia i naładować go.

### Wskazanie stanu naładowania akumulatora

Tylko w przypadku akumulatorów ze wskaźnikiem

► **Rys.2:** 1. Lampki wskaźnika 2. Przycisk kontrolny

Nacisnąć przycisk kontrolny na akumulatorze w celu wyświetlenia stanu naładowania akumulatora. Lampki wskaźnika zaświecą się przez kilka sekund.

Lampki wskaźnika			Pozostała energia akumulatora
Świeci się	Wyłączony	Miga	
			75–100%
			50–75%
			25–50%
			0–25%
			Naładować akumulator.
			Akumulator może nie działać poprawnie.
			

**WSKAZÓWKA:** Zależnie od warunków użytkowania i temperatury otoczenia, wskaźniki poziomu może nieznacznie się różnić od rzeczywistego stanu naładowania akumulatora.

**WSKAZÓWKA:** Pierwsza (skrajnie po lewej stronie) lampka wskaźnika migą, gdy układ zabezpieczenia akumulatora jest aktywny.

### Regulacja nachylenia ramienia

Ramię można obrócić i zamocować pod dowolnym kątem z zakresu „A” (od -5° do 90°) na rysunku. Wyregulować kąt, ustawiając wygodne położenie robocze.

Poluzować dźwignię blokady, unosząc ją. Obrócić ramię do wybranego położenia i zablokować dźwignię blokady w celu dokładnego zamocowania ramienia.

► **Rys.3:** 1. Dźwignia blokady 2. Ramię

### Wymiana ramienia

Taśmy o szerokości 6 mm (1/4") i 13 mm (1/2") można zamontować z ramionami opcjonalnymi, zaprojektowanymi odpowiednio do szerokości taśm. Poluzować śrubę mocującą ramię i wymienić ramię standardowe na ramię opcjonalne, a następnie dokładnie dokręcić śrubę.

► **Rys.4:** 1. Śruba 2. Ramię

## Działanie przełącznika

**⚠OSTRZEŻENIE:** Ze względów bezpieczeństwa narzędzie jest wyposażone w przełącznik blokady włączenia, który zapobiega przypadkowemu uruchomieniu narzędzia. **NIE WOLNO** używać narzędzia, jeśli można je uruchomić tylko za pomocą spustu przełącznika bez uprzedniego zwolnienia przełącznika blokady włączenia. **PRZED** dalszym użytkowaniem narzędzia należy przekazać je do naszego autoryzowanego punktu serwisowego w celu naprawy.

**⚠PRZESTROGA:** Przed włożeniem akumulatora do narzędzia należy zawsze sprawdzić, czy spust przełącznika działa prawidłowo i czy powraca do położenia wyłączenia po zwolnieniu. Korzystanie z narzędzia z nieprawidłowo działającym przełącznikiem może doprowadzić do utraty kontroli nad narzędziem oraz poważnych obrażeń ciała.

**UWAGA:** Nie ciągnąć na siłę spustu przełącznika bez wcześniejszego zwolnienia przełącznika blokady włączenia. Można w ten sposób złamać przełącznik.

**UWAGA:** Przełącznika blokady włączenia nie można zwolnić, jeśli ramię jest obrócone o ponad 90°.

Abym dopuścić do przypadkowego pociągnięcia spustu przełącznika, narzędzie jest wyposażone w przełącznik blokady włączenia. Nacisnąć dźwignię przełącznika (A) po stronie A, aby odblokować spust przełącznika, i (B) po stronie B, aby go zablokować.

► **Rys.5:** 1. Przełącznik blokady włączenia

Abym uruchomić narzędzie, należy pociągnąć spust przełącznika. Zwolnić spust przełącznika, aby zatrzymać narzędzie.

Abym włączyć tryb pracy ciągłej, należy pociągnąć spust przełącznika, a następnie nacisnąć przycisk blokady. Aby zatrzymać narzędzie przy przełączniku w położeniu zablokowania, wystarczy pociągnąć do oporu spust przełącznika, a następnie zwolnić go.

► **Rys.6:** 1. Przycisk blokady 2. Spust przełącznika

### Włączanie lampki czołowej

**⚠PRZESTROGA:** Nie patrzeć na światło ani bezpośrednio na źródło światła.

Kierunek oświetlenia można wyregulować w trzech położeniach w zakresie kąta 60°. W celu włączenia lampki należy pociągnąć za spust przełącznika. Aby wyłączyć lampkę, należy zwolnić spust przełącznika. Lampka gaśnie po około 10 sekundach od zwolnienia spustu przełącznika.

► **Rys.7:** 1. Lampka

**WSKAZÓWKA:** Gdy narzędzie jest przegrzane, światło migą przez minutę. W takiej sytuacji przed dalszym użytkowaniem należy poczekać, aż narzędzie ostygnie.

**WSKAZÓWKA:** Aby usunąć zabrudzenia z klosza lampki, należy użyć suchej szmatki. Uważać, aby nie zarysować klosza lampki, gdyż może to zmniejszyć natężenie oświetlenia.

## Pokrętko regulacji prędkości

Prędkość taśmy można wyregulować w zakresie od 600 m do 1 700 m na minutę (1 970 - 5 600 stóp/min) za pomocą pokrętki regulacji prędkości, wybierając jedno z ustawień od 1 do 5. Większą prędkość uzyskuje się, obracając pokrętko w kierunku pozycji 5; mniejszą prędkość uzyskuje się, obracając pokrętko w kierunku pozycji 1. Należy wybrać prędkość odpowiednią do obrabianego elementu.

**⚠ PRZESTROGA:** Pokrętko regulacji prędkości można obracać tylko w zakresie położeń na pokrętkle. Nie należy na siłę przekręcać pokrętki poza wyznaczony zakres, ponieważ regulacja prędkości może przestać działać.

► Rys.8: 1. Pokrętko regulacji prędkości

## MONTAŻ

**⚠ PRZESTROGA:** Przed przystąpieniem do prac konserwacyjnych przy narzędziu upewnić się, że jest ono wyłączone, a akumulator został wyjęty.

### Zdejmowanie i zakładanie taśmy ścierniej

Należy pociągnąć za dźwignię krzywki, aby zredukować naciąg taśmy, a następnie zdjąć taśmę.

Aby zamontować taśmę, należy najpierw umieścić jedną część taśmy na tylnym kole pasowym, zaczepić drugą część o przednie koło pasowe, a następnie ustawić dźwignię krzywki w oryginalnym położeniu.

► Rys.9: 1. Dźwignia krzywki 2. Taśma ścierna 3. Tylnie koło pasowe 4. Przednie koło pasowe

### Regulacja toru taśmy

Należy upewnić się, czy taśma jest prawidłowo ustawiona w linii z ramieniem, wykonując przebieg próbny z niską prędkością. Do wyśrodkowania toru taśmy należy użyć śruby radełkowanej. Przekręcić śrubę w prawo, aby pochylić ramię w prawo (patrząc w dół na narzędzie przy ramieniu skierowanym do przodu), lub przekręcić ją w lewo, aby pochylić ramię w lewo.

► Rys.10: 1. Ramię 2. Śruba radełkowana

### Zakładanie uchwytu bocznego

**⚠ PRZESTROGA:** Dokładnie dokręcić śrubę radełkowaną przed rozpoczęciem pracy.

**⚠ PRZESTROGA:** Należy unikać przykładania nadmiernej siły zewnętrznej do uchwytu bocznego — w przeciwnym razie podstawa uchwytu zostanie poluzowana i narzędzie może wypaść, powodując uszkodzenia lub obrażenia ciała. Może to mieć miejsce w następujących sytuacjach:

- Przykładanie nadmiernej siły do uchwytu bocznego podczas pracy
- Nierozważne posługiwanie się narzędziem, trzymając je tylko jedną ręką za uchwyt boczny
- Przenoszenie narzędzia, trzymając je tylko jedną ręką za uchwyt boczny

Uchwyt boczny (uchwyt pomocniczy) ułatwia przytrzymanie narzędzia w sposób pewny podczas pracy.

1. Uchwyt należy przykręcić do nakrętki mocującej znajdującej się w podstawie uchwytu.

► Rys.11: 1. Uchwyt 2. Podstawa uchwytu 3. Nakrętka mocująca

2. Poluzować śrubę radełkowaną w podstawie uchwytu. Przyczołować podstawę do zbiornika w obudowie silnika, wyrównując zaczep blokujący w podstawie z płytkim rowkiem na powierzchni obudowy.

Dokręcić śrubę radełkowaną, aby zapewnić bezpieczne mocowanie.

► Rys.12: 1. Śruba radełkowana 2. Obudowa silnika

## Podłączanie odkurzacza Makita

**⚠ PRZESTROGA:** Jeśli odkurzacz nie jest podłączony do króćca, na króciec zawsze powinna być założona nakrywka. Nigdy nie wkładać palców do króćca.

**UWAGA:** Przed rozpoczęciem eksploatacji należy zapoznać się z instrukcją obsługi dostarczoną z odkurzaczem.

**WSKAZÓWKA:** Do wykonania połączeń mogą być wymagane opcjonalne przednie złączki 22, łączniki lub adaptory narzędzi, w zależności od systemu odkurzacza.

Szlifowanie można wykonywać z zachowaniem czystości, przez podłączenie pilnika taśmowego do odkurzacza Makita. Należy zdjąć nakrywkę króćca i zamontować króciec odpylania. Podłączyć wąż odkurzacza do króćca odpylania.

► Rys.13: 1. Króciec odpylania 2. Przednie złączki/łącznik adapter 3. Wąż odkurzacza 4. Odkurzacz

## OBSŁUGA

**⚠ PRZESTROGA:** Obrabiany element należy zamocować za pomocą zacisków itp., jeśli istnieje możliwość poruszenia się go podczas pracy.

**⚠ PRZESTROGA:** Należy unikać szlifowania materiałów palnych, takich jak aluminium i magnez. Może to doprowadzić do pożaru, wybuchu lub obrażeń.

**⚠ PRZESTROGA:** Przed włączeniem lub wyłączeniem narzędzia należy upewnić się, że żadna część taśmy do szlifowania nie styka się z powierzchnią obrabianego elementu. W przeciwnym razie może dojść do obniżenia jakości wykończenia szlifowanej powierzchni, uszkodzenia taśmy lub utraty kontroli nad narzędziem.

**⚠ PRZESTROGA:** Należy unikać kontaktu ciała z taśmą i obracającymi się częściami podczas pracy narzędzia. Zawsze należy zwracać uwagę na otoczenie i osoby znajdujące się w pobliżu i zachować ostrożność wobec możliwych zagrożeń.

**⚠ PRZESTROGA:** Nie podejmować próby przytrzymywania narzędzia ustawionego dołem do góry ani pracy z narzędziem w takim położeniu. Może to doprowadzić do poważnego wypadku, skutkującego obrażeniami ciała.

Włączyć narzędzie i zaczekać, aż osiągnie pełną prędkość. Narzędzie należy trzymać mocno oburącz. Ostrożnie przyłożyć narzędzie do powierzchni obrabianego elementu i przesuwać je do przodu i do tyłu.

► **Rys.14**

► **Rys.15**

Obrabiany element zawsze szlifować w zakresie „C” (od końca płaskiej stopy do przedniego koła pasowego) na rysunku.

Taśmę tylko lekko dociskać do obrabianego elementu. Zbyt silne dociskanie może uszkodzić taśmę i skrócić trwałość narzędzia.

► **Rys.16:** 1. Płaska stopa 2. Przednie koło pasowe

## KONSERWACJA

**PRZESTROGA:** Przed przystąpieniem do przeglądu narzędzia lub jego konserwacji upewnić się, że jest ono wyłączone, a akumulator wyjęty.

**UWAGA:** Nie stosować benzyny, rozpuszczalników, alkoholu itp. środków. Mogą one powodować odbarwienia, odkształcenia lub pęknięcia.

W celu zachowania odpowiedniego poziomu BEZPIECZEŃSTWA i NIEZAWODNOŚCI produktu wszelkie naprawy i różnego rodzaju prace konserwacyjne lub regulacje powinny być przeprowadzane przez autoryzowany lub fabryczny punkt serwisowy narzędzi Makita, zawsze z użyciem oryginalnych części zamiennych Makita.

## Przechowywanie

**PRZESTROGA:** Należy zachować ostrożność, aby nie ścisnąć palców podczas przesuwania ramienia. Niezastosowanie się do tej zasady może spowodować obrażenia ciała.

Ramię można przesuwać pod kątem do 160°. Ramię należy złożyć, aby zaoszczędzić miejsce podczas przechowywania.

1. Poluzować dźwignię blokady, unosząc ją. Obrócić ramię pod kątem 90°.
2. Nacisnąć i przytrzymać pokrętkę suwaka, a następnie wyregulować kąt ramienia w zakresie „B” (od 90° do 160°) na rysunku.

► **Rys.17:** 1. Dźwignia blokady 2. Pokrętko suwaka 3. Ramię

3. Zablokować dźwignię blokady, aby przymocować ramię.

► **Rys.18:** 1. Dźwignia blokady 2. Przełącznik blokady włączenia

**UWAGA:** Przełącznik blokady włączenia zostanie automatycznie aktywowany, jeśli ramię jest obrócone o ponad 90°.

## AKCESORIA OPCJONALNE

**PRZESTROGA:** Zaleca się stosowanie wymiennych akcesoriów i przystawek razem z narzędziem Makita opisanym w niniejszej instrukcji.

Stosowanie innych akcesoriów lub przystawek może być przyczyną obrażeń ciała. Akcesoria lub przystawki należy wykorzystywać tylko zgodnie z ich przeznaczeniem.

W razie potrzeby wszelkiej pomocy i szczegółowych informacji na temat niniejszych akcesoriów udziela Państwu lokalne punkty serwisowe Makita.

- Zespół króćca odpylania
- Ramię (6, 9, 13 mm (1/4", 3/8", 1/2"))
- Taśmy ściernie
- Komplet osłony przeciwpylowej
- Komplet węża 28
- Przednie złączki
- Oryginalny akumulator i ładowarka firmy Makita

**WSKAZÓWKA:** Niektóre pozycje znajdujące się na liście mogą być dołączone do pakietu narzędziowego jako akcesoria standardowe. Mogą to być różne pozycje, w zależności od kraju.

## RÉSZLETES LEÍRÁS

<b>Típus:</b>	<b>DBS180</b>
Szalag mérete	9 mm x 533 mm
Szalag sebessége	600 - 1 700 m/min
Teljes hossz	500 mm *1
Névleges feszültség	18 V, egyenáram
Nettó tömeg	2,1 kg

\*1. Csiszolószalaggal és akkumulátorral (BL1860B).

- Folyamatos kutató- és fejlesztőprogramunk eredményeként az itt felsorolt tulajdonságok figyelmeztetés nélkül megváltozhatnak.
- A tulajdonságok országról országra különbözhetnek.
- Súly az akkumulátorral, a 01/2014 EPTA eljárás szerint meghatározva

### Alkalmazható akkumulátorok és töltők

Akkumulátor	BL1815N / BL1820 / BL1820B / BL1830 / BL1830B / BL1840 / BL1840B / BL1850 / BL1850B / BL1860B
Töltő	DC18RC / DC18RD / DC18RE / DC18SD / DC18SE / DC18SF / DC18SH

- Lakóhelyétől függően előfordulhat, hogy a fent felsorolt akkumulátorok és töltők nem érhetők el.

**▲ FIGYELMEZTETÉS:** Csak a fentiekben felsorolt akkumulátorokat és töltőket használja. Bármilyen más akkumulátor vagy töltő használata sérüléseket és/vagy tüzet okozhat.

### Rendeltetés

A szerszám nagy felületű faanyagok, műanyagok és fémek, valamint festett felületek csiszolására használható.

### Jaj

A tipikus A-súlyozású zajszint, az EN62841-2-4 szerint meghatározva:

Hangnyomásszint ( $L_{pA}$ ): 77 dB(A)  
Bizonytalanság (K): 3 dB(A)

**MEGJEGYZÉS:** A zajkibocsátás értéke a szabványos vizsgálati eljárásnak megfelelően lett mérve, és segítségével az elektromos kéziszerszámok összehasonlíthatók egymással.

**MEGJEGYZÉS:** A zajkibocsátás értékének segítségével előzetesen megbecsülhető a rezgésnek való kitettség mértéke.

**▲ FIGYELMEZTETÉS:** Viseljen fülvédőt!

**▲ FIGYELMEZTETÉS:** A szerszám zajkibocsátása egy adott alkalmazásnál eltérhet a megadott értéktől a használat módjától, különösen a feldolgozott munkadarab fajtájától függően.

**▲ FIGYELMEZTETÉS:** Határozza meg a kezelő védelmét szolgáló munkavédelmi lépéseket, melyek az adott munkafeltételek melletti vibrációs hatás becsült mértékén alapulnak (figyelembe véve a munkaciklus elemeit, mint például a gép leállításának és üresjáratának mennyiségét az elindítások száma mellett).

### Vibráció

A vibráció teljes értéke (háromtengelyű vektorösszeg) az EN62841-2-4 szerint meghatározva:

Üzem mód: töltés nélküli használat  
Rezgéskibocsátás ( $a_h$ ): 2,5 m/s<sup>2</sup> vagy kisebb  
Bizonytalanság (K): 1,5 m/s<sup>2</sup>

**MEGJEGYZÉS:** A rezgés teljes értéke a szabványos vizsgálati eljárásnak megfelelően lett mérve, és segítségével az elektromos kéziszerszámok összehasonlíthatók egymással.

**MEGJEGYZÉS:** A rezgés teljes értékének segítségével előzetesen megbecsülhető a rezgésnek való kitettség mértéke.

**▲ FIGYELMEZTETÉS:** A szerszám rezgés-kibocsátása egy adott alkalmazásnál eltérhet a megadott értéktől a használat módjától, különösen a feldolgozott munkadarab fajtájától függően.

**▲ FIGYELMEZTETÉS:** Határozza meg a kezelő védelmét szolgáló munkavédelmi lépéseket, melyek az adott munkafeltételek melletti vibrációs hatás becsült mértékén alapulnak (figyelembe véve a munkaciklus elemeit, mint például a gép leállításának és üresjáratának mennyiségét az elindítások száma mellett).

### EK Megfelelőségi nyilatkozat

**Csak európai országokra vonatkozóan**

Az EK-megfelelőségi nyilatkozat az útmutató „A” mellékletében található.



# BIZTONSÁGI FIGYELMEZTETÉS

## A szerszámgépekre vonatkozó általános biztonsági figyelmeztetések

**▲ FIGYELMEZTETÉS:** Olvassa el a szerszámgéphez mellékelte összes biztonsági figyelmeztetést, utasítást, illusztrációt és a műszaki adatokat. A következőkben leírt utasítások figyelmen kívül hagyása elektromos áramütést, tüzet és/vagy súlyos sérülést eredményezhet.

## Őrizzen meg minden figyelmeztetést és utasítást a későbbi tájékozódás érdekében.

A figyelmeztetéseken szereplő "szerszámgép" kifejezés az Ön hálózatról (vezetékes) vagy akkumulátorról (vezeték nélküli) működtetett szerszámgépére vonatkozik.

## AKKUMULÁTOROS SZALAGCSISZOLÓRA VONATKOZÓ BIZTONSÁGI FIGYELMEZTETÉSEK

1. Megfelelően szellőztesse a munkaterületet, ha csiszolási munkát végez.
2. Egyes anyagok mérgező vegyületet tartalmazhatnak. Gondoskodjon a por belélegzése elleni és érintés elleni védelemről. Tartsa be az anyag szállítójának biztonsági utasításait.
3. Mindig a megmunkált anyagnak és az alkalmazásnak megfelelő pormaszkot/gázálarcot használjon.
4. Mindig viseljen védőszemüveget vagy szemvédőt. A normál szemüvegek és a napszemüvegek NEM védőszemüvegek.
5. Szilárdan tartsa a szerszámot mindkét kezével.
6. Ellenőrizze, hogy a szalag nem ér-e a munkadarabhoz, mielőtt bekapcsolja a kapcsolót.
7. Ne nyúljon a forgó részekhez.
8. Ne hagyja a működő szerszámot felügyelet nélkül. Csak kézben tartva használja a szerszámot.
9. A szerszám nem vízálló, ezért ne használjon vizet a munkadarab felületén.

## ŐRIZZE MEG EZEKET AZ UTASÍTÁSOKAT.

**▲ FIGYELMEZTETÉS:** NE HAGYJA, hogy (a termék többszöri használatából eredő) kényelem és megszokás váltsa fel a termék biztonsági előírásainak szigorú betartását. A HELYTELEN HASZNÁLAT és a használati útmutatóban szereplő biztonsági előírások megszegése súlyos személyi sérülésekhez vezethet.

## Fontos biztonsági utasítások az akkumulátorra vonatkozóan

1. Az akkumulátor használata előtt tanulmányozza át az akkumulátortöltőt (1), az akkumulátoron (2) és az akkumulátorral működtetett terméken (3) olvasható összes utasítást és figyelmeztető jelzést.
2. Ne szerelje szét, és ne módosítsa az akkumulátort. Tüzet, túlzott hőt vagy robbanást okozhat.
3. Ha a működési idő nagyon lerövidült, azonnal hagyja abba a használatot. Ez a túlmelegedés, esetleges égések és akár robbanás veszélyével is járhat.
4. Ha elektrolit kerül a szemébe, mossa ki azt tiszta vízzel és azonnal kérjen orvosi segítséget. Ez a látásának elvesztését okozhatja.
5. Ne zárja rövidre az akkumulátort:
  - (1) Ne érjen az érintkezőkhöz elektromosan vezető anyagokkal.
  - (2) Ne tárolja az akkumulátort más fémtárgyakkal, mint pl. szegekkel, érmekkel, stb. egy helyen.
  - (3) Ne tegye ki az akkumulátort víznek vagy esőnek.

Az akkumulátor rövidzárlata nagy áramerősséget, túlmelegedést, égéseket, sőt akár meghibásodást is okozhat.

6. Ne tárolja és használja a szerszámot vagy az akkumulátort olyan helyen, ahol a hőmérséklet elérheti vagy meghaladhatja az 50 °C-t (122 °F).
7. Ne égesse el az akkumulátort még akkor sem, ha az komolyan megsérült vagy teljesen elhasználódott. Az akkumulátor a tűzben felrobbanhat.
8. Ne szúrja meg, ne vágja meg, ne törje össze, ne dobja el és ne ejtse le az akkumulátort, illetve ne üsse hozzá kemény tárgyhoz. Az ilyen magatartás tüzet, túlzott hőt vagy robbanást okozhat.
9. Ne használjon sérült akkumulátort.
10. A készülékben található lítium-ion akkumulátorokra a veszélyes árukkal kapcsolatos előírások vonatkoznak.

A termék pl. harmadik felek, fuvarozó cégek stb. által történő szállítása esetén minden esetben tartsa szem előtt a csomagoláson és a címkén található speciális követelményeket.

A termék szállításra történő felkészítése esetén vegye fel a kapcsolatot egy veszélyes anyagokkal foglalkozó szakemberrel. Kérjük, hogy az esetlegesen szigorúbb nemzeti előírásokat is vegye figyelembe.

Ragassza le a kiálló érintkezőket, illetve oly módon csomagolja be az akkumulátort, hogy az ne tudjon elmozdulni a csomagolásban.

11. Az akkumulátor ártalmatlanításakor vegye ki azt a szerszámból, és ártalmatlanítsa egy biztonságos helyen. Az akkumulátor ártalmatlanításakor tartsa be a helyi előírásokat.
12. Az akkumulátorokat csak a Makita által megjelölt termékekhez használja. Ha az akkumulátorokat azokkal nem kompatibilis termékekbe helyezi, az tűzhöz, túlmelegedéshez, robbanás-hoz vagy elektrolitszivárgáshoz vezethet.

13. Ha a szerszám hosszabb ideig nincs használatban, az akkumulátort ki kell venni a szerszámból.
14. Használat közben és után az akkumulátor felforrósodhat, ami égési sérülést vagy alacsony hőmérsékletű égési sérülést okozhat. Figyeljen oda a forró akkumulátor kezelésére.
15. Ne érintse meg közvetlenül a szerszám érintkezőjét, mert elég forró lehet ahhoz, hogy égési sérüléseket okozzon.
16. Ne engedje, hogy forgács, por vagy sár tapadjon az akkumulátor érintkezőire, lyukaiba és hornyaiba. Az a szerszám vagy az akkumulátor gyenge teljesítményét vagy meghibásodását okozhatja.
17. Hacsak a szerszám nem támogatja a nagyfeszültségű elektromos vezetékek közelében történő használatot, ne használja az akkumulátort nagyfeszültségű elektromos vezetékek közelében. Az a szerszám vagy az akkumulátor hibás működését vagy meghibásodását okozhatja.
18. Tartsa távol a gyerekektől az akkumulátort.

## ŐRIZZE MEG EZEKET AZ UTASÍTÁSOKAT.

**⚠VIGYÁZAT:** Csak eredeti Makita akkumulátorokat használjon. A nem eredeti Makita akkumulátorok vagy módosított akkumulátorok használata esetén az akkumulátor felrobbanhat, ami tüzet, személyi sérülést és anyagi kárt okozhat. A Makita szerszámmra és töltőre vonatkozó Makita garanciát is érvénytelenítheti.

## Tippek az akkumulátor maximális élettartamának eléréséhez

1. Töltse fel az akkumulátort, mielőtt teljesen lemerülne. Állítsa le a gépet, és töltse fel az akkumulátort, ha a gép erejének csökkenését észleli.
2. Soha ne töltse újra a teljesen feltöltött akkumulátort. A túltöltés csökkenti az akkumulátor élettartamát.
3. Töltse az akkumulátort szobahőmérsékleten, 10 °C - 40 °C (50 °F - 104 °F) között. Töltés előtt hagyja lehűlni a fölforrósodott akkumulátort.
4. Ha nem használja az akkumulátort, vegye ki a szerszámból vagy a töltőből.
5. Töltse fel az akkumulátort, ha hosszabb ideje (több mint hat hónapja) nem használta azt.

## A MŰKÖDÉS LEÍRÁSA

**⚠VIGYÁZAT:** Minden esetben ellenőrizze, hogy a szerszám ki van kapcsolva és az akkumulátor eltávolításra került mielőtt beállít vagy ellenőriz valamilyen funkciót a szerszámon.

### Az akkumulátor behelyezése és eltávolítása

**⚠VIGYÁZAT:** Mindig kapcsolja ki az eszközt, mielőtt behelyezi vagy eltávolítja az akkumulátort.

**⚠VIGYÁZAT:** Az akkumulátor behelyezésekor vagy eltávolításakor erősen fogja meg a szerszámot és az akkumulátort. Ha nem fogja erősen a szerszámot és az akkumulátort, azok kicsúszhatnak a kezei közül, ami a szerszám és az akkumulátor károsodásához, de akár személyi sérüléshez is vezethet.

► **Ábra1:** 1. Piros jel 2. Gomb 3. Akkumulátor

Az akkumulátoregység kivételéhez nyomja be az akkumulátoregység elején található gombot, és húzza le a gépről.

Az akkumulátor beszereléséhez illesse az akkumulátor nyelvét a burkolaton található vágatba és csúsztassa a helyére. Egészen addig tolja be, amíg az akkumulátor egy kis kattánással a helyére nem ugrik. Ha látható a piros jel a gomb felső oldalán, akkor a gomb nem kattant be teljesen.

**⚠VIGYÁZAT:** Mindig tolja be teljesen az akkumulátort, amíg a piros jel el nem tűnik. Ha ez nem történik meg, akkor az akkumulátor kieshet a szerszámból, és Önnek vagy a környezetében másnak sérülést okozhat.

**⚠VIGYÁZAT:** Ne erőltesse az akkumulátort behelyezéskor. Ha az akkumulátor nem csúszik be könnyedén, akkor nem megfelelően lett behelyezve.

### Szerszám-/akkumulátorvédő rendszer

A gép szerszám-/akkumulátorvédő rendszerrel van felszerelve. A rendszer automatikusan kikapcsolja az áramellátást, így megnöveli a szerszám és az akkumulátor élettartamát. A gép használat közben automatikusan leáll, ha a szerszám vagy az akkumulátor a következő állapotok valamelyikébe kerül:

#### Túlterhelésvédelem

Ez a védelem akkor működik, ha a szerszámot úgy működteti, hogy áramfelvétele rendellenesen magas. Ilyenkor kapcsolja ki a készüléket, és fejezze be azt a műveletet, amelyik a túlterhelést okozza. A munka újraindításához kapcsolja be a készüléket.

#### Túlmelegedés elleni védelem

Ez a védelem akkor működik, ha a szerszám vagy az akkumulátor túlhevül. Ilyenkor hagyja lehűlni a szerszámot és az akkumulátort, mielőtt ismét bekapcsolná a szerszámot.

#### Mélykisütés elleni védelem

Ez a védelem akkor működik, ha a maradék akkumulátorkapacitás alacsony. Ilyenkor vegye ki az akkumulátort a szerszámból, majd töltse fel azt.

## Az akkumulátor töltöttségének jelzése

Csak állapotjelzős akkumulátorok esetén

► **Ábra2:** 1. Jelzőlámpák 2. Check (ellenőrzés) gomb

Nyomja meg az ellenőrzőgombot, hogy az akkumulátortöltöttség-jelző megmutassa a hátralévő akkumulátor-kapacitást. Ekkor a töltöttség-szint-jelző lámpák néhány másodpercre kigyulladnak.

Jelzőlámpák			Töltöttségi szint
Világító lámpa	KI	Villogó lámpa	
■	□	▧	75%-tól 100%-ig
■ ■ ■ ■	□	□	50%-tól 75%-ig
■ ■ □ □	□	□	25%-tól 50%-ig
■ □ □ □	□	□	0%-tól 25%-ig
▧ □ □ □	□	□	Töltse fel az akkumulátort.
■ ■ □ □	□	□	Lehetséges, hogy az akkumulátor megbíborodott.
□ □ ■ ■	□	□	

**MEGJEGYZÉS:** Az adott munkafeltételektől és a környezeti hőmérsékletétől függően a jelzett töltöttségi szint némileg eltérhet a tényleges töltöttségi szinttől.

**MEGJEGYZÉS:** Az első (bal oldali szélső) jelzőlámpa villog, ha az akkumulátorvédelem rendszer működik.

## A kar dőlésének beállítása

A kart tetszőleges szögbe lehet forgatni és rögzíteni az ábrán látható „A” tartományban (-5° - 90°). Állítsa be a szöget kényelmes munkahelyzetbe.

Kilazításhoz emelje fel a reteszelőkart. Forgassa a kart a kívánt helyzetbe, és nyomja le a reteszelőkart, hogy szorosan rögzítse a kart.

► **Ábra3:** 1. Reteszelőkar 2. Kar

## A kar cseréje

6 mm (1/4") és 13 mm (1/2") szélességű szalagokat lehet felszerelni az opcionális karokkal, amelyeket a megfelelő szalagszélességhez terveztek. Lazítsa ki a kart rögzítő csavart, és cserélje a standardként felszerelt kart az opcionális karra, majd húzza meg szorosan a csavart.

► **Ábra4:** 1. Csavar 2. Kar

## A kapcsoló használata

**▲ FIGYELMEZTETÉS:** Az Ön biztonsága érdekében ez a szerszám egy kireteszelő kapcsolóval van felszerelve, ami meggátolja a szerszám véletlen beindulását. **SOHA NE** használja ezt a szerszámot, ha akkor is beindul, amikor Ön meghúzza a kapcsológombot, de nem oldja ki a kireteszelő kapcsolót. A további használat **ELŐTT** vigye vissza a szerszámot a hivatalos szervizközpontunkba a megfelelő javításra.

**▲ VIGYÁZAT:** Mielőtt behelyezné az akkumulátort a szerszámba, mindig ellenőrizze, hogy a kapcsológomb hibátlanul működik, és felengedéskor visszatér a kikapcsolt állásba. A hibás kapcsolóval működő szerszám főként a kezelő elveszízheti az uralmat, és a gép súlyos személyi sérülést okozhat.

**MEGJEGYZÉS:** Ha nem oldotta ki a kireteszelő kapcsolót, ne húzza túl erősen a kapcsológombot. Ez a kapcsoló törését okozhatja.

**MEGJEGYZÉS:** A kireteszelő kapcsolót nem lehet kioldani, ha a kar 90°-on túl el van forgatva.

A kapcsológomb véletlen benyomásának elkerüléséről egy kireteszelő kapcsoló gondoskodik. Nyomja meg a kapcsolókart az A oldalon (A) a kapcsológomb kioldásához, illetve a B oldalon (B) a reteszeléséhez.

► **Ábra5:** 1. Kireteszelő kapcsoló

A szerszám elindításához húzza meg a kapcsológombot. A leállításához engedje ki a kapcsológombot.

A folyamatos működéshez húzza meg a kapcsológombot, majd nyomja be a zárgombot. A szerszám leállításához reteszelt állásból teljesen engedje el a kapcsológombot.

► **Ábra6:** 1. Reteszelőgomb 2. Kapcsológomb

## Az elülső lámpa bekapcsolása

**▲ VIGYÁZAT:** Ne tekintsen a fénybe vagy ne nézze egyenesen a fényforrást.

A világítás irányát három fokozatban lehet beállítani 60°-os szögben. Húzza meg a kapcsológombot a lámpa bekapcsolásához. Kikapcsoláshoz engedje fel. A lámpa a kapcsológomb elengedése után kb. 10 másodperccel alszik ki.

► **Ábra7:** 1. Lámpa

**MEGJEGYZÉS:** A szerszám túlmelegedésekor a lámpa egy percig villog. Ebben az esetben hagyja lehűlni a szerszámot, mielőtt folytatná a műveletet.

**MEGJEGYZÉS:** Száraz ruhadarabbal törölje le a szennyeződést a lámpa lencséről. Ügyeljen arra hogy ne karcolja meg a lámpa lencséjét, ez csökkentheti a megvilágítás erősségét.

## Fordulatszám-szabályozó tárcsa

A szalag sebességét percenként 600 m és 1 700 m között (1 970 - 5 600 láb/perc) lehet állítani a fordulatszám-szabályozó tárcsát 1-től 5-ig terjedő számokra állítva. Ha a tárcsát az 5-ös szám irányába fordítja, nagyobb fordulatszámot ér el, ha pedig az 1-es szám irányába fordítja, kisebb fordulatszámot ér el. Válassza a csiszolni kívánt munkadarabhoz megfelelő fordulatszámot.

**⚠VIGYÁZAT:** A fordulatszám-szabályozó tárcsát csak a tárcsán jelzett számok között lehet forgatni. Ne forgassa a tárcsát túlzott erővel az adott tartományon kívülre, mert előfordulhat, hogy a fordulatszám-szabályozás nem működik.

▶ **Ábra8:** 1. Fordulatszám-szabályozó tárcsa

## ÖSSZESZERELÉS

**⚠VIGYÁZAT:** Minden esetben ellenőrizze, hogy a szerszám ki van kapcsolva és az akkumulátort levette, mielőtt bármilyen műveletet végez a szerszámon.

### A csiszolószalag eltávolítása és felszerelése

Húzza hátra a gyorszárat, hogy csökkentse a szalag feszességét, és távolítsa el a szalagot. A szalag felszereléséhez helyezze először a szalag egyik felét a hátsó görgőre, akassza a másik felét az elülső görgőre, majd állítsa a gyorszárat az eredeti helyzetbe.

▶ **Ábra9:** 1. Gyorszár 2. Csiszolószalag 3. Hátsó görgő 4. Elülső görgő

### A szalag pályájának beállítása

Egy alacsony fordulatszámú próbaüzemmel győződjön meg róla, hogy a szalag megfelelően illeszkedik a karra. Állítsa középre a szalag pályáját a szárnyas csavar segítségével. Forgassa el a csavart az órajárás irányába, hogy a kar jobbra dőljön, ha lefelé nézünk a szerszámról előre mutató karral, illetve forgassa az órajárással ellentétes irányba, hogy balra dőljön.

▶ **Ábra10:** 1. Kar 2. Szárnyas csavar

### Az oldalmarkolat felszerelése

**⚠VIGYÁZAT:** Használat előtt szorosan húzza meg a szárnyas csavart.

**⚠VIGYÁZAT:** Kerülje el azt, hogy nagy külső erő fejt ki az oldalmarkolatra, különösen a markolat aljának rögzítése meglazul, és a szerszám leeshet, kárt vagy személyi sérülést okozva a következő körülmények között:

- Nagy ütést gyakorol az oldalmarkolatra használat közben
- Gondatlanul kezeli a szerszámot, csak egyik kezét tartja az oldalmarkolaton
- Úgy hordozza a szerszámot, hogy csak egyik kezét tartja az oldalmarkolaton

Az oldalmarkolat (kiegészítő fogantyú) segít szorosan tartani a szerszámot használat közben.

1. Csavarja be a markolatot a markolat alján elhelyezett rögzítő anyába.

▶ **Ábra11:** 1. Markolat 2. Markolat alja 3. Rögzítő anya

2. Lazítsa meg a markolat alján lévő szárnyas csavart.

Csatlakoztassa az aljat a motorház burkolatának dobjához, az aljon lévő reteszelő fület a burkolat felületén lévő sekély horonyhoz igazítva.

Húzza meg a szárnyas csavart a markolat rögzítéséhez.

▶ **Ábra12:** 1. Szárnyas csavar 2. Motor burkolata

### Makita porszívó csatlakoztatása

**⚠VIGYÁZAT:** Mindig zárja le a fűvóka kupakját, amikor a porszívó nincs a fűvókához csatlakoztatva. Soha ne tegye az ujját a fűvókába.

**MEGJEGYZÉS:** Használat előtt olvassa el a porszívóhoz mellékelt használati kézikönyvet.

**MEGJEGYZÉS:** Opcionális 22-es elülső karmantyúk, illesztések vagy szerszám-adapterek lehetnek szükségesek a csatlakoztatáshoz a porszívó rendszerétől függően.

Tisztábban lehet végezni a csiszolási műveletet, ha a szalagcsiszolót Makita porszívóhoz csatlakoztatják. Nyissa ki a fűvóka kupakját, és szerelje fel a porkifűvót. Csatlakoztassa a porszívó csövét a porkifűvóhoz.

▶ **Ábra13:** 1. Porkifűvó 2. Elülső karmantyúk / illesztés / adapter 3. Porszívó csöve 4. Porszívó

## MŰKÖDTETÉS

**⚠VIGYÁZAT:** Rögzítse a munkadarabot bilincsekkel, stb. ha előfordulhat, hogy a művelet során elmozdul.

**⚠VIGYÁZAT:** Kerülje el a gyúlékony anyagokon, például alumíniumon és magnéziumon végzett csiszolási műveleteket. Tűzet, robbanást vagy sérülésveszélyt okozhat.

**⚠VIGYÁZAT:** A szerszám be- vagy kikapcsolása előtt győződjön meg arról, hogy a csiszolószalag egyetlen része sincs a munkadarab felületén. Máskülönben rossz lehet a csiszolás eredménye, megsérülhet a szalag vagy elveszítheti az irányítást az szerszám felett.

**⚠VIGYÁZAT:** Kerülje el, hogy használat közben a teste érintkezzen a szalaggal vagy a szerszám forgó részeivel. Mindig figyeljen a környezetére és a közelben állókra, és vigyázzon a lehetséges veszélyekre.

**⚠VIGYÁZAT:** Ne tartsa vagy működtesse a szerszámot fejfelé lefelé. Személyi sérülést eredményező súlyos balesetet okozhat.

Kapcsolja be a szerszámot, és várjon, amíg az eléri a maximális fordulatszámot. Szilárdan tartsa a szerszámot mindkét kezével. Finoman érintse a szerszámot a munkadarab felületéhez, és mozgassa a szerszámot előre és hátra.

► **Ábra14**

► **Ábra15**

Mindig az ábrán látható (a sima saru vége és az elülső görgő közötti) „C” tartományt használja a munkadarab csiszolására.

Csak finoman nyomja a szalagot a munkadarabra. A túlzott nyomás károsíthatja a szalagot, és lerövidítheti a szerszám élettartamát.

► **Ábra16:** 1. Sima saru 2. Elülső görgő

## KARBANTARTÁS

**⚠ VIGYÁZAT:** Minden esetben ellenőrizze, hogy a szerszám ki van kapcsolva és az akkumulátor eltávolításra került mielőtt átvizsgálja a szerszámot vagy annak karbantartását végzi.

**MEGJEGYZÉS:** Soha ne használjon gázolajt, benzint, hígítót, alkoholt vagy hasonló anyagokat. Ezek elszíneződést, alakvesztést vagy repedést okozhatnak.

A termék BIZTONSÁGÁNAK és MEGBÍZHATÓSÁGÁNAK fenntartása érdekében a javításokat és más karbantartásokat vagy beállításokat a Makita hivatalos vagy gyári szervizközpontjában kell elvégezni, mindig csak Makita cserealkatrészeket használva.

## Tárolás

**⚠ VIGYÁZAT:** Vigyázzon, ne csipje be az ujját a kar mozgásakor. Ennek elmulasztása személyi sérüléseket okozhat.

A kar akár 160°-os szögben is mozoghat. Hajtsa össze a kart, hogy kisebb tárolóhelyen elférjen.

1. Kilazításhoz emelje fel a reteszelőkart. Fordítsa a kart 90°-os szögbe.
2. Tartsa lenyomva a csúszo gombot, majd állítsa be a kar szögét az ábrán látható „B” (90° - 160°) tartományban.

► **Ábra17:** 1. Reteszelőkar 2. Csúszo gomb 3. Kar

3. Nyomja le a reteszelőkart a kar rögzítéséhez.

► **Ábra18:** 1. Reteszelőkar 2. Kireteszelő kapcsoló

**MEGJEGYZÉS:** A kireteszelő kapcsoló automatikusan bekapcsol, ha a kar 90°-on túl el van forgatva.

## OPCIONÁLIS KIEGÉSZÍTŐK

**⚠ VIGYÁZAT:** Ezen kiegészítőket és tartozékokat javasoljuk a kézikönyvben ismertetett Makita szerszámhoz. Bármilyen más kiegészítő vagy tartozék használata a személyi sérülés kockázatával jár. A kiegészítőket vagy tartozékokat csak rendeltetészerűen használja.

Ha bármilyen segítségre vagy további információkra van szüksége ezekkel a tartozékokkal kapcsolatban, keresse fel a helyi Makita Szervizközpontot.

- Porkifúvó-szerelvény
- Kar (6, 9, 13 mm (1/4", 3/8", 1/2"))
- Csiszolószalagok
- Porfogó kiegészítő
- Csókiegészítő 28
- Elülső karmantyúk
- Eredeti Makita akkumulátor és töltő

**MEGJEGYZÉS:** A listán felsorolt néhány kiegészítő megtalálható az eszköz csomagolásában standard kiegészítőként. Ezek országonként eltérőek lehetnek.

## TECHNICKÉ ŠPECIFIKÁCIE

Model:	DBS180
Rozmery pásu	9 mm x 533 mm
Rýchlosť pásu	600 - 1 700 m/min
Celková dĺžka	500 mm *1
Menovité napätie	Jednosmerný prúd 18 V
Čistá hmotnosť	2,1 kg

\*1. S brúsnym pásom a akumulátorom (BL1860B).

- Vzhľadom k neustálemu výskumu a vývoju podliehajú technické údaje uvedené v tomto dokumente zmenám bez upozornenia.
- Technické údaje sa môžu pre rôzne krajiny líšiť.
- Hmotnosť s akumulátorom podľa postupu EPTA 01/2014

## Použiteľné akumulátory a nabíjačky

Akumulátor	BL1815N / BL1820 / BL1820B / BL1830 / BL1830B / BL1840 / BL1840B / BL1850 / BL1850B / BL1860B
Nabíjačka	DC18RC / DC18RD / DC18RE / DC18SD / DC18SE / DC18SF / DC18SH

- Niektoré vyššie uvedené akumulátory a nabíjačky môžu byť nedostupné v závislosti od miesta vášho bydliska.

**VAROVANIE:** Používajte iba akumulátory a nabíjačky zo zoznamu uvedeného vyššie. Používanie akýchkoľvek iných akumulátorov a nabíjačiek môže spôsobiť zranenie a/alebo požiar.

## Určené použitie

Tento nástroj je určený na brúsenie veľkých povrchov dreva, plastu a kovových materiálov, ako aj natretých povrchov.

## Hluk

Typická hladina akustického tlaku záťaže A určená podľa štandardu EN62841-2-4:

Uroveň akustického tlaku ( $L_{pA}$ ): 77 dB (A)

Odchýlka (K): 3 dB (A)

**POZNÁMKA:** Deklarovaná hodnota emisií hluku bola meraná podľa štandardnej skúšobnej metódy a môže sa použiť na porovnanie jedného nástroja s druhým.

**POZNÁMKA:** Deklarovaná hodnota emisií hluku sa môže použiť aj na predbežné posúdenie vystavenia ich účinkom.

**VAROVANIE:** Používajte ochranu sluchu.

**VAROVANIE:** Emisie hluku sa môžu počas skutočného používania elektrického nástroja odlišovať od deklarovanej hodnoty, a to v závislosti od spôsobov používania náradia a najmä typu spracúvaného obrobku.

**VAROVANIE:** Nezabudnite označiť bezpečnostné opatrenia s cieľom chrániť obsluhu, a to tie, ktoré sa zakladajú na odhade vystavenia účinkom v rámci reálnych podmienok používania (berúc do úvahy všetky súčasti prevádzkového cyklu, ako sú doby, kedy je nástroj vypnutý a kedy beží bez zaťaženia, ako dodatok k dobe zapnutia).

## Vibrácie

Celková hodnota vibrácií (trojosový vektorový súčet) určená podľa štandardu EN62841-2-4:

Režim činnosti: prevádzka bez záťaže

Emisie vibrácií ( $a_{h1}$ ): 2,5 m/s<sup>2</sup> alebo menej

Odchýlka (K): 1,5 m/s<sup>2</sup>

**POZNÁMKA:** Deklarovaná celková hodnota vibrácií bola meraná podľa štandardnej skúšobnej metódy a môže sa použiť na porovnanie jedného nástroja s druhým.

**POZNÁMKA:** Deklarovaná celková hodnota vibrácií sa môže použiť aj na predbežné posúdenie vystavenia ich účinkom.

**VAROVANIE:** Emisie vibrácií sa môžu počas skutočného používania elektrického nástroja odlišovať od deklarovanej hodnoty, a to v závislosti od spôsobov používania náradia a najmä typu spracúvaného obrobku.

**VAROVANIE:** Nezabudnite označiť bezpečnostné opatrenia s cieľom chrániť obsluhu, a to tie, ktoré sa zakladajú na odhade vystavenia účinkom v rámci reálnych podmienok používania (berúc do úvahy všetky súčasti prevádzkového cyklu, ako sú doby, kedy je nástroj vypnutý a kedy beží bez zaťaženia, ako dodatok k dobe zapnutia).

## Vyhlásenie o zhode ES

Len pre krajiny Európy

Vyhlásenie o zhode ES sa nachádza v prílohe A tohto návodu na obsluhu.

# BEZPEČNOSTNÉ VAROVANIA

## Všeobecné bezpečnostné predpisy pre elektrické nástroje

**VAROVANIE:** Preštudujte si všetky bezpečnostné varovania, pokyny, vyobrazenia a technické špecifikácie určené pre tento elektrický nástroj. Pri nedodržaní všetkých nižšie uvedených pokynov môže dôjsť k úrazu elektrickým prúdom, požiaru alebo vážnemu zraneniu.

## Všetky výstrahy a pokyny si odložte pre prípad potreby v budúcnosti.

Pojem „elektrický nástroj“ sa vo výstrahách vzťahuje na elektricky napájané elektrické nástroje (s káblom) alebo batériou napájané elektrické nástroje (bez kábla).

## BEZPEČNOSTNÉ VAROVANIA PRE AKUMULÁTOROVÚ PÁSOVÚ BRÚSKU

1. Keď vykonávate brúsenie, pracovné miesto primerane vetrajte.
2. Niektoré materiály obsahujú chemikálie, ktoré môžu byť toxické. Dávajte pozor, aby ste ich nevdychovali ani sa ich nedotýkali. Prečítajte si bezpečnostné informácie dodávateľa materiálu.
3. Vždy používajte správnu protiprachovú masku/respirátor pre konkrétny materiál a použitie.
4. Vždy používajte ochranné okuliare alebo bezpečnostné okuliare. Obyčajné dioptrické alebo slnečné okuliare NIE sú ochranné okuliare.
5. Držte nástroj pevne oboma rukami.
6. Skôr, ako zapnete spínač, skontrolujte, či sa pás nedotýka obrobku.
7. Nepribližujte ruky k otáčajúcim sa častiam.
8. Nenechávajte nástroj v prevádzke bez dozoru. Pracujte s nástrojom, len keď ho držíte v rukách.
9. Tento nástroj nie je odolný voči vode, takže nepoužívajte vodu na povrchu obrobku.

## TIETO POKYNY USCHOVAJTE.

**VAROVANIE:** NIKDY nepripustíte, aby seba-vedomie a dobrá znalosť výrobku (získané opakovaným používaním) nahradili presné dodržiavanie bezpečnostných pravidiel pri používaní náradia. **NESPRÁVNE POUŽÍVANIE** alebo nedodržiavanie bezpečnostných zásad uvedených v tomto návode môže viesť k vážnemu zraneniu.

## Dôležité bezpečnostné a prevádzkové pokyny pre akumulátor

1. Pred použitím akumulátora si prečítajte všetky pokyny a výstažné označenia na (1) nabíjačke akumulátorov, (2) akumulátore a (3) produkte používajúcom akumulátor.
2. Akumulátor nerozoberajte ani neupravujte. Môže to viesť k požiaru, nadmernému teplu alebo výbuchu.
3. Ak sa doba prevádzky príliš skráti, ihneď prerušte prácu. Môže nastať riziko prehriatia, možných popálením či dokonca explózie.
4. V prípade zasiahnutia očí elektrolytom ich vypláchnite čistou vodou a okamžite vyhľadajte lekársku pomoc. Môže dôjsť k strate zraku.
5. Akumulátor neskratujte:
  - (1) Nedotýkajte sa konektorov žiadnym vodivým materiálom.
  - (2) Neskladujte akumulátor v obale s inými kovovými predmetmi, napríklad klincami, mincami a pod.
  - (3) Akumulátor nevystavujte vode ani dažďu. Skrat akumulátora môže spôsobiť veľký tok prúdu, prehriatie, možné popáleniny či dokonca poruchu.
6. Nástroj ani akumulátor neskladujte a nepoužívajte na miestach s teplotou presahujúcou 50 °C (122 °F).
7. Akumulátor nespálujte, ani keď je vážne poškodený alebo úplne opotrebovaný. Akumulátor môže v ohni explodovať.
8. Akumulátor neprepichujte, neprerezávajte, nedrvtvte, nehádzte ani ho nenarúšajte údermi o tvrdé predmety. Môže to viesť k požiaru, nadmernému teplu alebo výbuchu.
9. Nepoužívajte poškodený akumulátor.
10. Litium-iónové akumulátory, ktoré sú súčasťou náradia, podliehajú požiadavkám legislatívy o nebezpečnom tovare.

V prípade obchodnej prepravy, napr. dodanie tretími stranami či špeditériami, sa musia dodržiavať špeciálne požiadavky na zabalenie a označenie. Pred prípravou položky na odoslanie sa vyžaduje konzultácia s odborníkom na nebezpečný materiál. Taktiež treba dodržiavať potenciálne podrobnejšie predpisy príslušnej krajiny. Prelepte alebo zakryte otvorené kontakty a zabalte akumulátor tak, aby sa v balíku nemohol voľne pohybovať.
11. Akumulátor pri likvidácii odstráňte z nástroja a zlikvidujte ho na bezpečnom mieste. Akumulátor zlikvidujte v súlade s miestnymi nariadeniami.
12. Akumulátory používajte iba s výrobkami uvedenými spoločnosťou Makita. Inštalácia akumulátorov do nevyhovujúcich výrobkov môže spôsobiť požiar, nadmerné teplo, výbuch alebo únik elektrolytov.
13. Ak sa nástroj dlhší čas nepoužíva, odstráňte z neho akumulátor.

14. Akumulátor sa môže počas používania a po použití zohriať, čo môže spôsobiť popáleniny alebo popáleniny aj pri relatívne nízkej teplote. Pri manipulácii s horúcimi akumulátormi dávajte pozor.
15. Nedotýkajte sa svorky nástroja ihneď po použití, keďže sa mohla zohriať dostatočne na to, aby spôsobila popálenie.
16. Zabráňte zachytávaniu triesok, prachu alebo zeminy na svorkách, otvoroch a drážkach akumulátora. Môže to viesť k slabému výkonu alebo poškodeniu nástroja alebo akumulátora.
17. Pokiaľ nástroj nepodporuje používanie v blízkosti vysokonapäťových elektrických vedení, nepoužívajte akumulátor blízko vysokonapäťových elektrických vedení. Môže to viesť k nesprávnemu fungovaniu alebo poškodeniu nástroja alebo akumulátora.
18. Akumulátor držte mimo dosahu detí.

## TIETO POKYNY USCHOVAJTE.

**⚠️ POZOR:** Používajte len originálne akumulátory od spoločnosti Makita. Používanie batérií, ktoré nie sú od spoločnosti Makita, alebo upravených batérií môže spôsobiť výbuch batérie a následný požiar, zranenie osôb alebo poškodeniu majetku. Následkom bude aj zrušenie záruky od spoločnosti Makita na nástroj a nabíjačku od spoločnosti Makita.

## Rady na udržanie maximálnej životnosti akumulátora

1. Akumulátor nabíjajte ešte predtým, ako sa úplne vybije. Vždy prerušte prácu s nástrojom a nabíjajte akumulátor, keď spozorujete nižší výkon nástroja.
2. Nikdy nenabíjajte plne nabitý akumulátor. Prebíjanie skracuje životnosť akumulátora.
3. Akumulátor nabíjajte pri izbovej teplote 10 °C – 40 °C (50 °F – 104 °F). Pred nabíjaním nechajte horúci akumulátor vychladnúť.
4. Keď akumulátor nepoužívate, vyberte ho z nástroja alebo nabíjačky.
5. Litium-iónový akumulátor nabíjajte, ak ste ho nepoužívali dlhšie ako šesť mesiacov.

## OPIS FUNKCIÍ

**⚠️ POZOR:** Pred úpravou alebo kontrolou funkčnosti nástroja vždy skontrolujte, či je nástroj vypnutý a akumulátor je vybratý.

## Inštalácia alebo demontáž akumulátora

**⚠️ POZOR:** Pred inštaláciou alebo vybratím akumulátora nástroj vždy vypnite.

**⚠️ POZOR:** Pri inštalovaní a vyberaní akumulátora pevne uchopíte nástroj a akumulátor. Ak nástroj a akumulátor pevne neuchopíte, môže to mať za následok vyšmyknutie z vašich rúk s dôsledkom poškodenia nástroja a akumulátora, ako aj osobných poranení.

- **Obr.1:** 1. Červený indikátor 2. Tlačidlo 3. Akumulátor

Ak chcete vybrať akumulátor, vysuňte ho z nástroja, pričom posuňte tlačidlo na prednej strane akumulátora.

Akumulátor vložte tak, že jazýček akumulátora zarovnáte s drážkou v kryte a zasuniete ho na miesto. Zatlačte ho úplne, kým zakliknutím nezapadne na miesto. Ak vidíte červený indikátor na hornej strane tlačidla, nie je správne zapadnutý.

**⚠️ POZOR:** Akumulátor vždy nainštalujte úplne, až kým nie je vidieť červený indikátor. V opačnom prípade môže náhodne vypadnúť z nástroja a ublížiť vám alebo osobám v okolí.

**⚠️ POZOR:** Pri inštalovaní akumulátora nepoužívajte silu. Ak sa akumulátor nedá zasunúť ľahko, nevkladáte ho správne.

## Systém na ochranu nástroja/akumulátora

Nástroj je vybavený systémom ochrany nástroja/akumulátora. Tento systém automaticky vypne napájanie s cieľom predĺžiť životnosť nástroja a akumulátora. Nástroj sa počas prevádzky automaticky zastaví v prípade, ak sa nástroj alebo akumulátor dostanú do jedného z nasledujúcich stavov:

### Ochrana proti preťaženiu

Táto ochrana funguje, ak je nástroj prevádzkovaný spôsobom, ktorý spôsobuje odber nadmerne vysokého prúdu. V tejto situácii vypnite nástroj a ukončíte prácu, ktorá spôsobuje jeho preťažovanie. Potom nástroj zapnutím znova spustíte.

### Ochrana pred prehrievaním

Táto ochrana funguje v prípade prehriatia nástroja alebo akumulátora. V takom prípade nechajte nástroj a akumulátor pred opätovným spustením vychladnúť.

### Ochrana pred nadmerným vybitím

Táto ochrana funguje, ak sa zníži zostávajúca kapacita akumulátora. V takom prípade vyberte akumulátor z nástroja a nabíjajte ho.



## Indikácia zvyšnej kapacity akumulátora

### Len na akumulátory s indikátorom

► Obr.2: 1. Indikátory 2. Tlačidlo kontroly

Stlačením tlačidla kontroly na akumulátore zobrazíte zostávajúcu kapacitu akumulátora. Indikátory sa na niekoľko sekúnd rozsvietia.

Indikátory			Zostávajúca kapacita
Svieti	Nesvieti	Bliká	
■	□	◐	75 % až 100 %
■	■	□	50 % až 75 %
■	■	□	25 % až 50 %
■	□	□	0 % až 25 %
◐	□	□	Akumulátor nabíja.
■	■	□	Akumulátor je možno chybný.
□	□	■	

**POZNÁMKA:** V závislosti od podmienok používania a v závislosti od okolitej teploty sa môže zobrazenie mierne odlišovať od skutočnej kapacity.

**POZNÁMKA:** Prvý (úplne vľavo) svetelný indikátor bude blikáť, keď systém ochrany akumulátora funguje.

## Nastavenie sklonu ramena

Rameno sa dá otáčať a upevniť v ľubovoľnom požadovanom uhle v rozsahu „A“ (-5° až 90°) podľa znázornenia na obrázku. Uhol nastavte tak, aby ste dosiahli pohodlnú pracovnú polohu.

Poistnú páčku povoľte zdvihnutím. Otočte rameno do požadovanej polohy a zaistite poistnú páčku, aby ste rameno pevne ukotvili.

► Obr.3: 1. Poistná páčka 2. Rameno

## Výmena ramena

Pásky so šírkou 6 mm (1/4") a 13 mm (1/2") je možné nainštalovať s voľiteľnými ramenami, ktoré sú navrhnuté pre zodpovedajúcu šírku pásky. Uvoľnite skrutku, ktorá drží rameno, rameno zo štandardnej výbavy vymeňte za voľiteľné rameno a potom pevne dotiahnite skrutku.

► Obr.4: 1. Skrutka 2. Rameno

## Zapnutie

**VAROVANIE:** Z dôvodu vašej bezpečnosti je toto zariadenie vybavené spínačom odomknutia, ktoré zabráni neúmyselnému zapnutiu zariadenia. Nástroj NIKDY nepoužívajte, ak ste ho do prevádzky uviedli len potiahnutím spúšťacieho spínača a neuvolnili ste pritom spínač odomknutia. PRED ďalším použitím vráťte nástroj do autorizovaného servisného strediska, kde ho dôkladne opraví.

**POZOR:** Pred nainštalovaním akumulátora do nástroja vždy skontrolujte, či spúšťací spínač funguje správne a po uvoľnení sa vráti do polohy „OFF“ (VYP.). Prevádzka nástroja s nesprávne fungujúcim spúšťacím spínačom môže viesť k strate ovládania a k vážnym poraneniam osôb.

**UPOZORNENIE:** Spúšťací spínač nestláčajte nasilu bez uvoľnenia spínača odomknutia. V opačnom prípade sa môže spínač zlomiť.

**UPOZORNENIE:** Spínač odomknutia sa nedá uvoľniť, keď je rameno otočené za hranicu 90°.

Nástroj je vybavený spínačom odomknutia, ktorý bráni náhodnému potiahnutiu spúšťacieho spínača. Ak chcete odomknúť spúšťací spínač, páčku spínača stlačte (A) zo strany A; ak chcete spúšťací spínač zaistiť, páčku spínača stlačte (B) zo strany B.

► Obr.5: 1. Spínač odomknutia

Nástroj spustíte stlačením spúšťacieho spínača. Ak ho chcete zastaviť, uvoľnite spúšťací spínač.

Ak chcete nástroj používať v režime trvalého chodu, najprv stlačte spúšťací spínač a potom ho v stlačenej polohe zaistíte posunutím tlačidla zamknutia. Nástroj z polohy uzamknutého spínača zastavíte úplným potiahnutím spúšťacieho spínača a jeho následným uvoľnením.

► Obr.6: 1. Blokovacie tlačidlo 2. Spúšťací spínač

## Zapnutie prednej lampy

**POZOR:** Nedívejte sa priamo do svetla ani jeho zdroja.

Smer osvetlenia je možné nastaviť v troch úrovniach pod uhlom 60°. Stlačením spúšťacieho spínača zapnete svetlo. Zhasnete ho uvoľnením. Lampa zhasne asi 10 sekúnd po uvoľnení spúšťacieho spínača.

► Obr.7: 1. Lampa

**POZNÁMKA:** Ak dôjde k prehriatiu nástroja, na jednu minútu sa rozblíka kontrolka. V takomto prípade pred ďalšou činnosťou nechajte náradie vychladnúť.

**POZNÁMKA:** Suchou tkaninou utrite znečistené šošovky lampy. Dávajte pozor, aby sa šošovky lampy nepoškrabali. Mohla by sa znížiť intenzita osvetlenia.

## Nastavovací regulátor rýchlosti

Rýchlosť pásu sa dá nastavovať v rozsahu od 600 m do 1 700 m za minútu (1 970 - 5 600 stôp/min) otočením nastavovacieho regulátora rýchlosti na príslušné číslo nastavenia od 1 do 5.

Vyššia rýchlosť sa dosiahne otočením regulátora v smere čísla 5; nižšia rýchlosť sa dosiahne jeho otočením v smere čísla 1. Vyberte si vhodné otáčky pre obrobok, ktorý chcete brúsiť.

**⚠ POZOR:** Nastavovací regulátor rýchlosti je možné prepínať iba medzi číslami uvedenými na číselníku. Nevyšívajte nadmernú silu pri snahe otočiť číselník mimo tento rozsah, pretože v opačnom prípade nastavovanie rýchlosti môže prestať fungovať.

► Obr.8: 1. Nastavovací regulátor rýchlosti

## ZOSTAVENIE

**⚠ POZOR:** Pred vykonaním akejkoľvek práce na nástroji vždy skontrolujte, či je nástroj vypnutý a akumulátor je vybrať.

## Demontáž a inštalácia brúsneho pásu

Potiahnite páku vačky späť, aby ste uvoľnili napnutie pásu, a odstráňte pás.

Pri inštalácii pásu najskôr položte jednu stranu pásu na zadnú remenicu, druhú stranu zachyťte na prednú remenicu a potom nastavte páčku vačky do pôvodnej polohy.

► Obr.9: 1. Páka vačky 2. Brúsný pás 3. Zadná remenica 4. Predná remenica

## Nastavenie dráhy pásu

Uistite sa, že pás je pri skúšobnej prevádzke pri nízkej rýchlosti správne zarovnaný s ramenom.

Dráhu pásu centrujte pomocou skrutky s ryhovanou hlavou. Otáčaním skrutky v smere hodinových ručičiek pri pohľade na nástroj zhora s ramenom nasmerovaným dopredu nakláňate rameno doprava, zatiaľ čo jej otáčaním proti smeru hodinových ručičiek rameno nakláňate doľava.

► Obr.10: 1. Rameno 2. Skrutka s ryhovanou hlavou

## Montáž bočnej rukoväti

**⚠ POZOR:** Pred prevádzkou pevne dotiahnite skrutku s ryhovanou hlavou.

**⚠ POZOR:** Vyvarujte sa nadmernému silovému pôsobeniu na bočnú rukoväť, pretože v opačnom prípade sa upínacia podložka uvoľní a nástroj môže za nasledujúcich podmienok spadnúť a spôsobiť poškodenie alebo ublíženie na zdraví:

- Silný náraz do bočnej rukoväti počas prevádzky
- Neopatrná manipulácia s nástrojom s jednou rukou na bočnej rukoväti
- Prenášanie nástroja s jednou rukou na bočnej rukoväti

Bočná rukoväť (pomocná rukoväť) pomáha držať nástroj pevne počas prevádzky.

1. Zaskrutkujte rukoväť do upevňovacej matice nachádzajúcej sa na upínacej podložke.

► Obr.11: 1. Rukoväť 2. Upínacia podložka 3. Upevňovacia matica

2. Uvoľnite skrutku s ryhovanou hlavou na upínacej podložke.

Pripevnite podložku ku krytu motora tak, aby bola zaistovacia západka na podložke zarovnaná s plytkou drážkou na povrchu krytu.

Utiahnite skrutku s ryhovanou hlavou na zaistenie rukoväti.

► Obr.12: 1. Skrutka s ryhovanou hlavou 2. Kryt motora

## Prípojenie k vysávaču Makita

**⚠ POZOR:** Pokiaľ nie je k hubici prípojený vysávač, vždy zatvorte kryt hubice. Nikdy nezasúvajte prst do hubice.

**UPOZORNENIE:** Pred použitím si prečítajte návod na obsluhu dodaný s vysávačom.

**POZNÁMKA:** V závislosti od konkrétneho modelu vysávača sa môžu vyžadovať voliteľné predné manžety s rozmerom 22, spojovacie členy alebo adaptéry na náradie.

Čistejší priebeh brúsenia je možné dosiahnuť pripojením pásovej brúsky k vysávaču Makita.

Otvorte kryt hubice a nainštalujte prachovú hubicu.

Pripojte hadicu vysávača k prachovej hubici.

► Obr.13: 1. Prachová hubica 2. Predné manžety/spojovacie člen/adaptér 3. Hadica vysávača 4. Vysávač

## PREVÁDZKA

**⚠ POZOR:** Ak sa obrobok počas prevádzky pohybuje, zaistite ho svorkami atď.

**⚠ POZOR:** Vyhňte sa brúseniu horľavých materiálov, ako je hliník a horčík. Môže to spôsobiť požiar, výbuch alebo riziko poranenia.

**⚠ POZOR:** Pred zapnutím alebo vypnutím nástroja sa uistite, že žiadna časť brúsneho pásu nespočíva na povrchu obrobku. V opačnom prípade môže dôjsť k nedokonalému zbrúseniu povrchu, poškodeniu pásu alebo strate kontroly nad nástrojom.

**⚠ POZOR:** Počas prevádzky zabráňte telesnému kontaktu s pásom a rotujúcimi časťami nástroja. Vždy pozorne sledujte svoje okolie, dávajte pozor na okolostojace osoby a predvídajte možné riziká.

**⚠ POZOR:** Nepokúšajte sa nástroj držať a používať hore nohami. Mohlo by to spôsobiť vážnu nehodu s ublížením na zdraví.

Zapnite nástroj a počkajte, kým nedosiahne plnú rýchlosť. Držte nástroj pevne oboma rukami. Opatrne priložte nástroj k povrchu obrobku a posúvajte ho dopredu a dozadu.

► **Obr.14**

► **Obr.15**

Na obrusovanie obrobku vždy používajte rozsah „C“ (medzi koncom plochej pätky a prednou remenicou) podľa znázornenia na obrázku.

Pás prítlačajte k obrobku iba zľahka. Nadmerný tlak môže poškodiť pás a skrátiť životnosť náradia.

► **Obr.16:** 1. Plochá pätká 2. Predná remenica

## ÚDRŽBA

**POZOR:** Pred vykonaním kontroly alebo údržby vždy skontrolujte, či je nástroj vypnutý a akumulátor je vybratý.

**UPOZORNENIE:** Nepoužívajte benzín, riedidlo, alkohol ani podobné látky. Mohlo by to spôsobiť zmenu farby, deformácie alebo praskliny.

Ak chcete udržať **BEZPEČNOSŤ** a **BEZPORUCHOVOSŤ** výrobku, prenechajte opravy, údržbu a nastavenie na autorizované alebo továrenské servisné centrá Makita, ktoré používajú len náhradné diely značky Makita.

## Uskladnenie

**POZOR:** Pri posúvaní ramena dávajte pozor, aby ste si nepricvikli prsty. V opačnom prípade môže dôjsť k zraneniu.

Rameno sa dokáže pohybovať v max. rozsahu 160°. Sklopte rameno nahor, aby ste ušetrili úložný priestor.

1. Poistnú páčku povoľte zdvihnutím. Natočte rameno pod uhlom 90°.
2. Stlačte a podržte posuvné tlačidlo a potom nastavte uhol ramena v rozsahu „B“ (90° až 160°) podľa znázornenia na obrázku.

► **Obr.17:** 1. Poistná páčka 2. Posuvné tlačidlo 3. Rameno

3. Zaistením poistnej páčky zaistíte rameno.

► **Obr.18:** 1. Poistná páčka 2. Spínač odomknutia

**UPOZORNENIE:** Spínač odomknutia sa aktivuje automaticky, keď je rameno otočené za hranicou 90°.

## VOLITEĽNÉ PRÍSLUŠENSTVO

**POZOR:** Pre váš nástroj Makita, opísaný v tomto návode, doporučujeme používať toto príslušenstvo a nástavce. Pri použití iného príslušenstva či nástavcov môže hroziť nebezpečenstvo zranenia osôb. Príslušenstvo a nástavce sa môžu používať len na účely pre ne stanovené.

Ak potrebujete bližšie informácie týkajúce sa tohoto príslušenstva, obráťte sa na vaše miestne servisné stredisko firmy Makita.

- Zostava prachovej hubice
- Rameno (6, 9, 13 mm (1/4", 3/8", 1/2"))
- Brúsne pásy
- Prachový kryt kompletný
- Hadica kompletná 28
- Predné manžety
- Originálna batéria a nabíjačka Makita

**POZNÁMKA:** Niektoré položky zo zoznamu môžu byť súčasťou balenia nástrojov vo forme štandardného príslušenstva. Rozsah týchto položiek môže byť v každej krajine odlišný.

## SPECIFIKACE

Model:	DBS180
Rozměry pásu	9 mm × 533 mm
Rychlost pásu	600 - 1 700 m/min
Celková délka	500 mm *1
Jmenovité napětí	18 V DC
Čistá hmotnost	2,1 kg

\*1. S brusným pásem a akumulátorem (BL1860B).

- Vzhledem k neustálému výzkumu a vývoji zde uvedené technické údaje podléhají změnám bez upozornění.
- Specifikace se mohou pro různé země lišit.
- Hmotnost s akumulátorem dle EPTA – Procedure 01/2014

## Použitelný akumulátor a nabíječka

Akumulátor	BL1815N / BL1820 / BL1820B / BL1830 / BL1830B / BL1840 / BL1840B / BL1850 / BL1850B / BL1860B
Nabíječka	DC18RC / DC18RD / DC18RE / DC18SD / DC18SE / DC18SF / DC18SH

- V závislosti na regionu vašeho bydliště nemusí být některé akumulátory a nabíječky k dispozici.

**VAROVÁNÍ:** Používejte pouze výše uvedené akumulátory a nabíječky. Použití jiných akumulátorů a nabíječek může způsobit zranění a/nebo požár.

## Účel použití

Nářadí je určeno k velkoplošnému broušení dřeva, plastů, kovových materiálů a také povrchů opatřených nátěrem.

## Hlučnost

Typická vážená hladina hluku (A) určená podle normy EN62841-2-4:

Hladina akustického tlaku ( $L_{pA}$ ): 77 dB(A)

Nejistota (K): 3 dB(A)

**POZNÁMKA:** Celková(é) hodnota(y) emisí hluku byla(y) změřena(y) v souladu se standardní zkušební metodou a dá se použít k porovnání nářadí mezi sebou.

**POZNÁMKA:** Hodnotu(y) deklarovaných emisí hluku lze také použít k předběžnému posouzení míry expozice vibracím.

**VAROVÁNÍ:** Používejte ochranu sluchu.

**VAROVÁNÍ:** Emise hluku se při používání elektrického nářadí ve skutečnosti mohou od deklarované(y) hodnot(y) lišit v závislosti na způsobech použití nářadí.

**VAROVÁNÍ:** Nezapomeňte stanovit bezpečnostní opatření na ochranu obsluhy podle odhadu expozice ve skutečných podmínkách použití. (Vezměte přitom v úvahu všechny části provozního cyklu, tj. kromě doby zátěže například doby, kdy je nářadí vypnuté a kdy běží naprázdno.)

## Vibrace

Celková hodnota vibrací (vektorový součet tří os)

určená podle normy EN62841-2-4:

Pracovní režim: provoz bez zatížení

Emise vibrací ( $a_{hA}$ ): 2,5 m/s<sup>2</sup> nebo méně

Nejistota (K): 1,5 m/s<sup>2</sup>

**POZNÁMKA:** Celková(é) hodnota(y) deklarovaných vibrací byla(y) změřena(y) v souladu se standardní zkušební metodou a dá se použít k porovnání nářadí mezi sebou.

**POZNÁMKA:** Celkovou(é) hodnotu(y) deklarovaných vibrací lze také použít k předběžnému posouzení míry expozice vibracím.

**VAROVÁNÍ:** Emise vibrací se při používání elektrického nářadí ve skutečnosti mohou od deklarované(y) hodnot(y) lišit v závislosti na způsobech použití nářadí.

**VAROVÁNÍ:** Nezapomeňte stanovit bezpečnostní opatření na ochranu obsluhy podle odhadu expozice ve skutečných podmínkách použití. (Vezměte přitom v úvahu všechny části provozního cyklu, tj. kromě doby zátěže například doby, kdy je nářadí vypnuté a kdy běží naprázdno.)

## Prohlášení ES o shodě

*Pouze pro evropské země*

Prohlášení ES o shodě je obsaženo v Příloze A tohoto návodu k obsluze.

# BEZPEČNOSTNÍ VÝSTRAHY

## Obecná bezpečnostní upozornění k elektrickému nářadí

**VAROVÁNÍ:** Přečtěte si všechny bezpečnostní výstrahy i pokyny a prohlédněte si ilustrace a specifikace dodané k tomuto elektrickému nářadí. Nedodržení všech níže uvedených pokynů může vést k úrazu elektrickým proudem, požáru či vážnému zranění.

## Všechna upozornění a pokyny si uschovejte pro budoucí potřebu.

Pojem „elektrické nářadí“ v upozorněních označuje elektrické nářadí, které se zapojuje do elektrické sítě, nebo elektrické nářadí využívající akumulátory.

## BEZPEČNOSTNÍ UPOZORNĚNÍ K AKUMULÁTOROVÉ PÁSOVÉ BRUSCE

1. Při broušení zajistěte odpovídající odvětrávání pracoviště.
2. Některé materiály obsahují chemikálie, které mohou být jedovaté. Dávejte pozor, abyste nevedechovali prach nebo nedocházelo ke kontaktu s kůží. Dodržujte bezpečnostní pokyny dodavatele materiálu.
3. Vždy používejte protiprachovou masku/respirátor odpovídající použití a materiálu, se kterým pracujete.
4. Vždy používejte ochranné brýle. Běžné dioptrické nebo sluneční brýle NEJSOU ochranné brýle.
5. Držte nářadí pevně oběma rukama.
6. Před zapnutím spínače se přesvědčte, zda se pás nedotýká dílu.
7. Nepřiblížte ruce k otáčejícím se částem.
8. Nenechávejte nářadí běžet bez dozoru. S nářadím pracujte, jen když je držíte v rukou.
9. Toto nářadí není vodotěsné. Proto na povrchu zpracovávaného dílu nepoužívejte vodu.

## TYTO POKYNY USCHOVEJTE.

**VAROVÁNÍ:** NEDOVOLTE, aby pohodlnost nebo pocit znalosti výrobku (získaný na základě předchozího použití) vedl k zanedbání dodržování bezpečnostních pravidel platných pro tento výrobek. **NESPRÁVNÉ POUŽÍVÁNÍ** či nedodržení bezpečnostních pravidel uvedených v tomto návodu k obsluze může způsobit vážné zranění.

## Důležitá bezpečnostní upozornění pro akumulátor

1. Před použitím akumulátoru si přečtěte všechny pokyny a varovné symboly na (1) nabíječce, (2) akumulátoru a (3) výrobku využívajícím akumulátor.
2. Nerozebírejte akumulátor ani do něj nijak nezasahujte. Může dojít k požáru, nadměrnému zahřátí nebo výbuchu.
3. Pokud se příliš zkrátí provozní doba akumulátoru, přerušete okamžitě práci. V opačném případě existuje riziko přehřívání, popálení nebo dokonce výbuchu.

4. Budou-li vaše oči zasaženy elektrolytem, vypláchněte je čistou vodou a okamžitě vyhledejte lékařskou pomoc. Může dojít ke ztrátě zraku.
5. Akumulátor nezkratujte:
  - (1) Nedotýkejte se svorek žádným vodivým materiálem.
  - (2) Neskladujte akumulátor v nádobě s jinými kovovými předměty, jako jsou hřebíky, mince, apod.
  - (3) Nevystavujte akumulátor vodě a dešti. Zkrat akumulátoru může způsobit velký průtok proudu, přehřátí, možné popálení a dokonce i poruchu.
6. Neskladujte a nepoužívejte nářadí a akumulátor na místech, kde může teplota překročit 50 °C (122 °F).
7. Nespalujte akumulátor, ani když je vážně poškozen nebo úplně opotřeben. Akumulátor může v ohni vybuchnout.
8. Akumulátor nesmí být prorazen hřebíkem, řezán, drcen, házen či upuštěn na zem, ani nesmí dojít k nárazu tvrdého předmětu do něj. Taková situace může způsobit požár, nadměrné zahřátí či výbuch.
9. Nepoužívejte poškozené akumulátory.
10. Obsazené lithium-iontové akumulátory podléhají právním požadavkům na nebezpečné zboží. V případě komerční přepravy například externími dopravci je třeba dodržet zvláštní požadavky na balení a značení. Pro přípravu zboží k přepravě je nutná konzultace s odborníkem na nebezpečný materiál. Dodržujte také případné podrobnější národní předpisy. Odkryté kontakty přelepte izolační páskou či jinak zakryjte a akumulátory zabalte tak, aby se v balení nemohly pohybovat.
11. Při likvidaci akumulátoru jej vyjměte z nářadí a zlikvidujte jej na bezpečném místě. Při likvidaci akumulátoru postupujte podle místních předpisů.
12. Akumulátor používejte pouze v výrobky specifikovanými společností Makita. Instalace akumulátoru do nevhodujících výrobků může způsobit požár, nadměrné zahřívání, explozi nebo únik elektrolytu.
13. Pokud nářadí delší dobu nepoužíváte, je nutné z něj akumulátor vyjmout.
14. Během a po použití se může akumulátor zahřát, což může způsobit popálení nebo podráždění. Při manipulaci s horkými akumulátory dávejte pozor.
15. Nedotýkejte se koncovky na nářadí ihned po použití, protože ta může být horká a způsobit popálení.
16. Do koncovek, otvorů a zdiřek na akumulátoru se nesmí dostat piliny, prach nebo jiné nečistoty. Mohlo by tím dojít ke zhoršení výkonu nebo poruše nářadí či akumulátoru.
17. Jestliže nářadí není zkonstruováno tak, že jej lze používat v blízkosti vysokého elektrického napětí, nepoužívejte akumulátor poblíž vedení s vysokým elektrickým napětím. Mohlo by tím dojít k poruše či selhání nářadí či akumulátoru.
18. Akumulátor uchovávejte mimo dosah dětí.

## TYTO POKYNY USCHOVEJTE.

**⚠ UPOZORNĚNÍ:** Používejte pouze originální akumulátory Makita. Používání neoriginálních nebo upravených akumulátorů může způsobit explozi akumulátoru a následný požár, zranění a jiné poškození. Zaniká tím také záruka společnosti Makita na nářadí a nabíječku Makita.

## Typy k zajištění maximální životnosti akumulátoru

1. Akumulátor nabíjte dříve, než dojde k jeho úplnému vybití. Pokud si povšimnete sníženého výkonu nářadí, vždy jej zastavte a dobijte akumulátor.
2. Nikdy nenabíjete úplně nabitý akumulátor. Přebíjení zkracuje životnost akumulátoru.
3. Akumulátor dobíjete při pokojové teplotě od 10 °C do 40 °C (50 °F až 104 °F). Před nabíjením nechte horký akumulátor zchladnout.
4. Když není akumulátor používán, vyjměte ho z nářadí či nabíječky.
5. Pokud se akumulátor delší dobu nepoužívá (déle než šest měsíců), je nutno jej dobít.

## POPIS FUNKCÍ

**⚠ UPOZORNĚNÍ:** Před nastavováním nářadí nebo kontrolou jeho funkce se vždy přesvědčte, zda je vypnuté a je vyjmutý akumulátor.

## Nasazení a sejmutí akumulátoru

**⚠ UPOZORNĚNÍ:** Před nasazením či sejmutím akumulátoru nářadí vždy vypněte.

**⚠ UPOZORNĚNÍ:** Při nasazování či snímání akumulátoru pevně držte nářadí i akumulátor. V opačném případě vám může nářadí nebo akumulátor vyklouznout z rukou a mohlo by dojít k jejich poškození či ke zranění.

- Obr.1: 1. Červený indikátor 2. Tlačítko 3. Akumulátor

Chcete-li akumulátor sejmout, vysuňte jej se současným přesunutím tlačítka na přední straně akumulátoru.

Při nasazování akumulátoru vyrovnejte jazýček na akumulátoru s drážkou v krytu a zasuňte akumulátor na místo. Akumulátor zasuňte na doraz, až zacvakne na své místo. Není-li tlačítko zcela zajištěno, uvidíte na jeho horní straně červený indikátor.

**⚠ UPOZORNĚNÍ:** Akumulátor zasunujte vždy zcela tak, aby nebyl červený indikátor vidět. Jinak by mohl akumulátor ze zařízení vypadnout a způsobit zranění obsluze či přihlížejícím osobám.

**⚠ UPOZORNĚNÍ:** Akumulátor nenasazujte násilím. Nelze-li akumulátor zasunout snadno, nevkládá jej správně.

## System ochrany nářadí a akumulátoru

Nářadí je vybaveno systémem ochrany nářadí a akumulátoru. Tento systém automaticky přeruší napájení, aby se prodloužila životnost nářadí a akumulátoru. Budou-li nářadí nebo akumulátor vystaveny některé z níže uvedených podmínek, nářadí se během provozu automaticky vypne:

### Ochrana proti přetížení

Tato ochrana se spustí, pokud se s nářadím pracuje takovým způsobem, že dochází k odběru mimořádně vysokého proudu. V takové situaci nářadí vypne a ukončete činnost, při níž došlo k přetížení nářadí. Potom nářadí zapnete a obnovte činnost.

### Ochrana proti přehřátí

Tato ochrana se spustí, pokud se nářadí nebo akumulátor přehřeje. V takové situaci nechte nářadí a akumulátor před opětovným zapnutím vychladnout.

### Ochrana proti přílišnému vybití


















Tato ochrana se spustí, pokud je zbývající kapacita akumulátoru nízká. V takovém případě vyjměte akumulátor z nářadí a nabijte jej.

## Indikace zbývající kapacity akumulátoru

Pouze pro akumulátory s diodovým ukazatelem

► Obr.2: 1. Kontrolky 2. Tlačítko kontroly

Stisknutím tlačítka kontroly na akumulátoru zjistíte zbývající kapacitu akumulátoru. Kontrolky indikátoru se na několik sekund rozsvítí.

Kontrolky			Zbývající kapacita
 Svítí	 Nesvítí	 Bliká	
			75 % až 100 %
			50 % až 75 %
			25 % až 50 %
			0 % až 25 %
			Nabíjete akumulátor.
			Došlo pravděpodobně k poruše akumulátoru.
			

**POZNÁMKA:** Kapacita udávaná indikátorem se může mírně lišit od skutečné kapacity v závislosti na podmínkách používání a teplotě prostředí.

**POZNÁMKA:** První kontrolka (zcela vlevo) bude blikat, když je systém ochrany akumulátoru v provozu.

## Nastavení úhlu ramene

Rameno lze naklonit a upevnit v jakémkoliv požadovaném úhlu v rozmezí „A“ (-5° až 90°) uvedeném na obrázku. Upravte úhel do pohodlné pracovní polohy. Zdvihnutím povolte zajišťovací páčku. Přesuňte rameno do požadované polohy a zajistěte jej pomocí zajišťovací páčky.

► **Obr.3:** 1. Zajišťovací páčka 2. Rameno

## Výměna ramena

6 mm (1/4") a 13 mm (1/2") lze namontovat pomocí volitelných ramen, která jsou zkonstruována pro odpovídající šířky pásů. Povolte šroub, který zajišťuje rameno, a vyměňte standardní rameno za rameno volitelné, poté šroub pevně utáhněte.

► **Obr.4:** 1. Šroub 2. Rameno

## Používání spínače

**VAROVÁNÍ:** K zajištění bezpečnosti je nářadí vybaveno odjišťovacím spínačem zamezujícím neúmyslnému spuštění. NIKDY nepoužívejte nářadí, jež lze spustit pouhým stisknutím spouště bez použití odjišťovacího spínače. V takovém případě nářadí PŘED dalším použitím předejte našemu autorizovanému servisnímu středisku k opravě.

**AUPOZORNĚNÍ:** Před instalací akumulátoru do nářadí vždy zkontrolujte správnou funkci spouště a zda se spoušť po uvolnění vrátí do polohy vypnutí. Práce s nářadím bez správně fungujícího spínače může vést ke ztrátě kontroly a vážnému zranění.

**POZOR:** Nemačkejte spoušť silou bez použití odjišťovacího spínače. Mohlo by dojít k poškození spínače.

**POZOR:** Odjišťovací spínač nelze uvolnit, když je rameno nastaveno do úhlu více než 90°.

Aby nedocházelo k náhodnému stisknutí spouště, je nářadí vybaveno odjišťovacím spínačem. Stiskněte páčku spínače (A) ze strany A a odjistěte spoušť, nebo (B) ze strany B a zajistěte ji.

► **Obr.5:** 1. Odjišťovací spínač

Chcete-li nářadí uvést do chodu, stiskněte spoušť.

Uvolněním spouště nářadí zastavíte.

Chcete-li pracovat nepřetržitě, stiskněte spoušť a poté zamáčkněte blokovací tlačítko. Jestliže chcete nářadí v aretované poloze vypnout, stiskněte zcela spoušť a zase ji uvolněte.

► **Obr.6:** 1. Blokovací tlačítko 2. Spoušť

## Rozsvícení předního světla

**AUPOZORNĚNÍ:** Nedívejte přímo do světla nebo jeho zdroje.

Směr světla lze upravit v rámci tří úrovní a rozpětí úhlu 60°. Světlo zapnete stisknutím spouště. Uvolněním spouště světlo vypnete. Světlo zhasne přibližně za 10 sekund po uvolnění spouště.

► **Obr.7:** 1. Světlo

**POZNÁMKA:** Pokud je nářadí přehřáté, světlo po dobu jedné minuty bliká. V takovém případě nechte nářadí před obnovením práce vychladnout.

**POZNÁMKA:** K otření nečistot ze skla světla použijte suchý hadřík. Dbejte, abyste sklo světla nepoškrábali. Mohlo by dojít ke snížení svítivosti.

## Otočný volič otáček

Rychlost pásu lze nastavit mezi 600 m a 1 700 m za minutu (1 970 - 5 600 ft/min) otočením otočného voliče otáček na požadované číslo od 1 do 5.

Otočením voliče směrem k číslu 5 se rychlost otáček zvyšuje; naopak otočením voliče ve směru k číslu 1 se otáčky snižují. Zvolte odpovídající otáčky pro broušený obrobek.

**AUPOZORNĚNÍ:** Otočný volič otáček lze otáčet jen v rozmezí čísel na něm. Nesazte se jej silou otáčet mimo tento rozsah, jinak může dojít k tomu, že volba otáček nebude fungovat.

► **Obr.8:** 1. Otočný volič otáček

## SESTAVENÍ

**AUPOZORNĚNÍ:** Před prováděním jakýchkoli prací na nářadí se vždy přesvědčte, zda je vypnuté a je vyjmutý akumulátor.

## Montáž a demontáž brusného pásu

Zatáhněte za vačkovou páčku zpět a uvolněte pnutí pásu, poté jej odmontujte.

Chcete-li pás namontovat, umístěte nejprve jednu stranu pásu přes zadní řemenici, zahákněte druhou stranu přes přední řemenici a poté nastavte vačkovou páčku do původní polohy.

► **Obr.9:** 1. Vačková páčka 2. Brusný pás 3. Zadní řemenice 4. Přední řemenice

## Úprava dráhy pásu

Pomocí zkušebního běhu za nízkých otáček se ujistěte, že je pás správně srovnán s ramenem.

K vystředění dráhy pásu použijte křídlový šroub.

Otočením šroubu doprava nakloníte rameno doprava při pohledu dolů na nářadí s ramenem směřujícím dopředu, a naopak otočením doleva nakloníte rameno doleva.

► **Obr.10:** 1. Rameno 2. Křídlový šroub

## Instalace boční rukojeti

**⚠️ UPOZORNĚNÍ:** Před provozem pevně utáhněte křídlový šroub.

**⚠️ UPOZORNĚNÍ:** Na boční rukojeť se nesmí působit přílišnou silou, jinak může dojít k uvolnění základny rukojeti a nářadí může vypadnout, což může způsobit škodu nebo zranění v následujících případech:

- Působení plné síly na boční rukojeť během provozu
- Nepozorná manipulace s nářadím pouze jednou rukou na boční rukojeti
- Přenášení nářadí pouze jednou rukou za boční rukojeť

Boční rukojeť (pomocné držadlo) pomáhá při pevném držení nářadí během provozu.

1. Rukojeť našroubujte pomocí utahovací matice umístěné v základně rukojeti.

► **Obr.11:** 1. Rukojeť 2. Základna rukojeti 3. Utahovací matice

2. Povolte křídlový šroub v základně rukojeti. Nasadte základnu na válcový prvek skříně motoru a přitom srovnajte zajišťovací výstupek na základně se zdílkou na povrchu skříně.

Utáhněte křídlový šroub a zajistěte rukojeť.

► **Obr.12:** 1. Křídlový šroub 2. Skříně motoru

## Připojení k vysavači Makita

**⚠️ UPOZORNĚNÍ:** Když není k hubici připojen vysavač, je nutné vždy zavřít krytku hubice. Nikdy nevkládejte prsty do hubice.

**POZOR:** Před použitím si přečtěte návod k obsluze dodávaný s vysavačem.

**POZNÁMKA:** K připojení budou možná třeba volitelné přední manžety 22, spojky nebo adaptéry nářadí, v závislosti na daném vysavači.

Čistějšího broušení lze dosáhnout tak, že se k pásové brusce připojí vysavač Makita.

Otevřete krytku hubice a namontujte hubici na piliny. Připojte hadici vysavače k hubici na piliny.

► **Obr.13:** 1. Hubice na piliny 2. Přední manžeta/spojka/adaptér 3. Hadice vysavače 4. Vysavač

## PRÁCE S NÁŘADÍM

**⚠️ UPOZORNĚNÍ:** Pomocí svorek atp. zajistěte obrobek, jestliže by během práce mohlo docházet k jeho pohybu.

**⚠️ UPOZORNĚNÍ:** Neprovádějte broušení vznětlivých materiálů, jako jsou například hliník či hořčík. Mohlo by dojít k požáru, výbuchu nebo zranění.

**⚠️ UPOZORNĚNÍ:** Dbejte na to, aby se před zapnutím či vypnutím nářadí žádná část brusného pásu nedotýkala povrchu obrobku. Jinak může dojít k nekvalitnímu opracování povrchu, poškození pásu nebo ztrátě kontroly nad nářadím.

**⚠️ UPOZORNĚNÍ:** Tělo obsluhy nesmí během provozu nikdy přijít do kontaktu s pásem nebo otáčejícími se částmi nářadí. Vždy dávejte pozor na své okolí a případné osoby kolem, ale také na možná nebezpečí.

**⚠️ UPOZORNĚNÍ:** Nářadí nikdy nedržte ani nepoužívejte, když je obráceno vzhůru nohama. Může to způsobit vážnou nehodu a případně zranění.

Nářadí zapněte a počkejte, až dosáhne plných otáček. Držte nářadí pevně oběma rukama. Jemně přeneste nářadí na povrch obrobku a pohybujte jím směrem dopředu a dozadu.

► **Obr.14**

► **Obr.15**

K broušení obrobku vždy používejte rozsah „C“ (mezi koncem ploché botky a přední řemenicí) na obrázku. Pás přitlačte k obrobku jen jemnou silou. Nadměrná síla může poškodit pás a zkrátit životnost nářadí.

► **Obr.16:** 1. Plochá botka 2. Přední řemenice

## ÚDRŽBA

**⚠️ UPOZORNĚNÍ:** Před zahájením kontroly nebo údržby nářadí se vždy ujistěte, zda je vypnuté a je vyjmut akumulátor.

**POZOR:** Nikdy nepoužívejte benzín, benzen, ředidlo, alkohol či podobné prostředky. Mohlo by tak dojít ke změnám barvy, deformacím či vzniku prasklin.

K zachování BEZPEČNOSTI a SPOLEHLIVOSTI výrobku musí být opravy a veškerá další údržba či seřizování prováděny autorizovanými nebo továrními servisními středisky společnosti Makita s využitím náhradních dílů Makita.



## Skladování

**⚠ UPOZORNĚNÍ:** Při pohybu ramene si počítejte opatrně, abyste si neskřípli prsty. V opačném případě by mohlo dojít ke zranění.

Rameno lze pohybovat v rozsahu úhlu až 160°. Při skladování rameno sklopte.

1. Zdvihnutím povolte zajišťovací páčku. Otočte rameno do úhlu 90°.
2. Stiskněte a podržte posuvný knoflík a poté upravte úhel ramene do rozsahu „B“ (90° až 160°) na obrázku.

► **Obr.17:** 1. Zajišťovací páčka 2. Posuvný knoflík  
3. Rameno

3. Zajistěte rameno pomocí zajišťovací páčky.

► **Obr.18:** 1. Zajišťovací páčka 2. Odjišťovací spínač

**POZOR:** Odjišťovací spínač je automaticky aktivován, když je rameno nastaveno do úhlu více než 90°.

## VOLITELNÉ PŘÍSLUŠENSTVÍ

**⚠ UPOZORNĚNÍ:** Pro nářadí Makita popsané v tomto návodu doporučujeme používat následující příslušenství a nástavce. Při použití jiného příslušenství či nástavců může hrozit nebezpečí zranění osob. Příslušenství lze používat pouze pro stanovené účely.

Potřebujete-li bližší informace ohledně tohoto příslušenství, obraťte se na místní servisní středisko společnosti Makita.

- Sestava hubice na piliny
- Rameno (6, 9, 13 mm (1/4", 3/8", 1/2"))
- Brusné pásy
- Kompletní protiprachový kryt
- Kompletní hadice 28
- Přední manžety
- Originální akumulátor a nabíječka Makita

**POZNÁMKA:** Některé položky seznamu mohou být k nářadí přibaleny jako standardní příslušenství. Přibalené příslušenství se může v různých zemích lišit.

## ТЕХНІЧНІ ХАРАКТЕРИСТИКИ

<b>Модель:</b>	<b>DBS180</b>
Розмір стрічки	9 мм × 533 мм
Швидкість руху стрічки	600 - 1 700 м/хв
Загальна довжина	500 мм *1
Номінальна напруга	18 В пост. струму
Маса нетто	2,1 кг

\*1. З абразивною стрічкою й касетою з акумулятором (BL1860B).

- Оскільки наша програма наукових досліджень і розробок триває безперервно, наведені тут технічні характеристики можуть бути зміннені без попередження.
- У різних країнах технічні характеристики можуть бути різними.
- Вага разом із касетою з акумулятором відповідно до стандарту ЕРТА (Європейська асоціація виробників електроінструменту) від січня 2014 року

### Застосовна касета з акумулятором і зарядний пристрій

Касета з акумулятором	BL1815N / BL1820 / BL1820B / BL1830 / BL1830B / BL1840 / BL1840B / BL1850 / BL1850B / BL1860B
Зарядний пристрій	DC18RC / DC18RD / DC18RE / DC18SD / DC18SE / DC18SF / DC18SH

- Деякі касети з акумулятором і зарядні пристрої, які вказано вище, можуть бути недоступними залежно від вашого регіону або місця перебування.

**⚠ПОПЕРЕДЖЕННЯ:** Використовуйте лише касети з акумулятором і зарядні пристрої, перелічені вище. Використання будь-яких інших касет з акумулятором і зарядних пристроїв може призвести до травмування й/або пожежі.

### Призначення

Інструмент призначено для шліфування великих поверхонь із деревини, пластмаси й металу, а також пофарбованих поверхонь.

### Шум

Рівень шуму за шкалою А в типовому виконанні, визначений відповідно до стандарту EN62841-2-4: Рівень звукового тиску ( $L_{pA}$ ): 77 дБ (А)  
Похибка (К): 3 дБ (А)

**ПРИМІТКА:** Заявлене значення шуму було виміряно відповідно до стандартних методів тестування й може використовуватися для порівняння одного інструмента з іншим.

**ПРИМІТКА:** Заявлене значення шуму може також використовуватися для попереднього оцінювання впливу.

**⚠ПОПЕРЕДЖЕННЯ:** Користуйтеся засобами захисту органів слуху.

**⚠ПОПЕРЕДЖЕННЯ:** Залежно від умов використання рівень шуму під час фактичної роботи електроінструмента може відрізнятись від заявленого значення вібрації; особливо сильно на це впливає тип деталі, що оброблюється.

**⚠ПОПЕРЕДЖЕННЯ:** Забезпечте належні запобіжні заходи для захисту оператора, що відповідають умовам використання інструмента (слід брати до уваги всі складові робочого циклу, як-от час, коли інструмент вимкнено та коли він починає працювати на холостому ході під час запуску).

### Вібрація

Загальна величина вібрації (векторна сума трьох напрямків) визначена згідно з EN62841-2-4:  
Режим роботи: робота на холостому ході  
Вібрація ( $a_h$ ): 2,5 м/с<sup>2</sup> або менше  
Похибка (К): 1,5 м/с<sup>2</sup>

**ПРИМІТКА:** Заявлене загальне значення вібрації було виміряно відповідно до стандартних методів тестування й може використовуватися для порівняння одного інструмента з іншим.

**ПРИМІТКА:** Заявлене загальне значення вібрації може також використовуватися для попереднього оцінювання впливу.

**▲ПОПЕРЕДЖЕННЯ:** Залежно від умов використання вібрація під час фактичної роботи електроінструмента може відрізнитися від заявленого значення вібрації; особливо сильно на це впливає тип деталі, що оброблюється.

**▲ПОПЕРЕДЖЕННЯ:** Забезпечте належні запобіжні заходи для захисту оператора, що відповідатимуть умовам використання інструмента (слід брати до уваги всі складові робочого циклу, як-от час, коли інструмент вимкнено та коли він починає працювати на холостому ході під час запуску).

## Декларація про відповідність стандартам ЄС

Тільки для країн Європи

Декларацію про відповідність стандартам ЄС наведено в Додатку А до цієї інструкції з експлуатації.

## ПОПЕРЕДЖЕННЯ ПРО ДОТРИМАННЯ ТЕХНІКИ БЕЗПЕКИ

### Загальні застереження щодо техніки безпеки при роботі з електроінструментами

**▲ПОПЕРЕДЖЕННЯ:** Уважно ознайомтеся з усіма попередженнями про дотримання правил техніки безпеки, інструкціями, ілюстраціями та технічними характеристиками, що стосуються цього електроінструмента. Невиконання будь-яких інструкцій, перелічених нижче, може призвести до ураження електричним струмом, пожежі та/або тяжких травм.

### Збережіть усі інструкції з техніки безпеки та експлуатації на майбутнє.

Термін «електроінструмент», зазначений у інструкції з техніки безпеки, стосується електроінструмента, який функціонує від електромережі (електроінструмент з кабелем живлення), або електроінструмента з живленням від батареї (безпроводний електроінструмент).

## ПРАВИЛА ТЕХНІКИ БЕЗПЕКИ ПІД ЧАС РОБОТИ З АКУМУЛЯТОРНОЮ СТРІЧКОВОЮ ШЛІФУВАЛЬНОЮ МАШИНОЮ

1. Під час шліфування провітрюйте робоче приміщення належним чином.
2. Деякі матеріали містять токсичні хімічні речовини. Будьте обережні, щоб уникнути вдихання пилу й потрапляння таких матеріалів на шкіру. Дотримуйтеся правил техніки безпеки, передбачених виробником матеріалу.

3. Обов'язково використовуйте пилозахисну маску або респиратор відповідно до сфери застосування й оброблюваного матеріалу.
4. Обов'язково використовуйте захисні окуляри. Звичайні або сонцезахисні окуляри НЕ Є захисними.
5. Міцно тримайте інструмент обома руками.
6. Перевертайте перед увімкненням, щоб стрічка не торкалася деталі.
7. Не наближайте руки до деталей, що обертаються.
8. Не залишайте без нагляду інструмент, який працює. Працюйте з інструментом, тільки тримаючи його в руках.
9. Цей інструмент не має гідроізоляції, тому не можна зволожувати поверхню оброблюваної деталі.

## ЗБЕРІГАЙТЕ ЦІ ВКАЗІВКИ.

**▲ПОПЕРЕДЖЕННЯ:** НІКОЛИ НЕ втрачайте пильності та не розслабляйтеся під час користування виробом (що можливо при частому користуванні); обов'язково строго дотримуйтеся відповідних правил безпеки. **НЕНАЛЕЖНЕ ВИКОРИСТАННЯ** або недотримання правил безпеки, викладених у цій інструкції з експлуатації, може призвести до серйозних травм.

## Важливі інструкції з безпеки для касети з акумулятором

1. Перед тим як користуватися касетою з акумулятором, слід прочитати всі інструкції та застережні знаки щодо (1) зарядного пристрою акумулятора, (2) акумулятора та (3) виробів, що працюють від акумулятора.
2. Не розбирайте касету з акумулятором і не змінюйте її конструкцію. Це може призвести до пожежі, перегріву або вибуху.
3. Якщо період роботи дуже короткав, слід негайно припинити користування. Це може призвести до виникнення ризику перегріву, опіку та навіть вибуху.
4. У разі потрапляння електроліту в очі слід промити їх чистою водою та негайно звернутися до лікаря. Це може призвести до втрати зору.
5. Не закоротіть касету з акумулятором.
  - (1) Не слід торкатися клем будь-яким струмопровідним матеріалом.
  - (2) Не слід зберігати касету з акумулятором у смонтованій чи інших металевих предметах, такими як цвяхи, монети тощо.
  - (3) Не залишайте касету з акумулятором під дощем, запобігайте контакту з водою.Коротке замикання може призвести до появи значного струму, перегріву, можливих опіків та навіть виходу з ладу.
6. Не слід зберігати й використовувати інструмент і касету з акумулятором у місцях, де температура може сягнути чи перевищити 50 °C (122 °F).
7. Не слід спалювати касету з акумулятором, навіть якщо вона була неодноразово пошкоджена або повністю спрацьована. Касета з акумулятором може вибухнути у вогні.

8. **Заборонено забивати цвяхи в касету з акумулятором, різати, ламати, кидати, впускати касету з акумулятором або вдаряти її твердим предметом.** Це може призвести до пожежі, перегріву або вибуху.
9. **Не слід використовувати пошкоджений акумулятор.**
10. **Літій-іонні акумулятори, що містяться в інструменті, мають відповідати вимогам законів про небезпечні товари.**  
Під час транспортування за допомогою комерційних перевезень, наприклад із залученням третьої сторони та експедиторів, необхідно дотримуватись особливих вимог, вказаних на пакуванні й у маркуванні.  
Під час підготування позиції до відправлення необхідно проконсультуватись зі спеціалістом з небезпечних матеріалів. Крім того, слід виконувати більш докладні національні настанови, якщо такі є. Заклейте відкриті контакти стрічкою або заховайте їх і запакуйте акумулятор таким чином, щоб він не міг рухатися в пакуванні.
11. **Для утилізації касети з акумулятором витягніть її з інструмента та утилізуйте безпечним способом.** Дотримуйтеся норм місцевого законодавства щодо утилізації акумуляторів.
12. **Використовуйте акумулятори лише з виробами, указаними компанією Makita.** Установлення акумуляторів у невідповідні вироби може призвести до пожежі, надмірного нагрівання, вибуху чи витоку електроліту.
13. **Якщо інструментом не користуватимуться протягом тривалого періоду часу, вийміть акумулятор з інструмента.**
14. **Під час і після використання касети з акумулятором може нагріватися, що може стати причиною опіків або низькотемпературних опіків.** Будьте обережні під час поводження з гарячою касетою з акумулятором.
15. **Не торкайтеся контактів інструмента відразу після використання, оскільки він може бути досить гарячим, щоб викликати опіки.**
16. **Не допускайте, щоб уламки, пил або земля прилипали до контактів, отворів і пазів на касеті з акумулятором.** Це може привести до зниження експлуатаційних параметрів, поломки інструмента або касети з акумулятором.
17. **Якщо інструмент не розраховано на використання поблизу високовольтних ліній електропередач, не використовуйте касету з акумулятором поблизу високовольтних ліній електропередач.** Це може призвести до несправності, поломки інструмента або касети з акумулятором.
18. **Тримайте акумулятор у недоступному для дітей місці.**

## ЗБЕРІГАЙТЕ ЦІ ВКАЗІВКИ.

**⚠ОБЕРЕЖНО:** Використовуйте тільки акумулятори Makita. Використання акумуляторів, інших ніж оригінальні акумулятори Makita, або акумуляторів, конструкцію яких було змінено, може призвести до вибуху акумулятора і спричинити пожежу, травму або пошкодження. У зв'язку з цим також буде анульовано гарантію Makita на інструмент Makita і на зарядний пристрій.

## Поради з забезпечення максимального строку експлуатації акумулятора

1. Касету з акумулятором слід заряджати до того, як він розрядиться повністю. Завжди слід зупинити роботу інструмента та зарядити акумулятор, якщо ви помітили зменшення потужності інструмента.
2. Ніколи не слід заряджати повторно повністю заряджену касету з акумулятором. Перезарядження скорочує строк експлуатації акумулятора.
3. **Заряджайте касету з акумулятором при кімнатній температурі 10°C - 40°C (50°F - 104°F).** Перед тим як заряджати касету з акумулятором, слід зачекати, доки вона охолоне.
4. Коли касета з акумулятором не використовується, виймайте її з інструмента або зарядного пристрою.
5. Якщо касета з акумулятором не використовувалася тривалий час (понад шість місяців), її слід зарядити.

## ОПИС РОБОТИ

**⚠ОБЕРЕЖНО:** Обов'язково переконайтеся, що прилад вимкнено, а касету з акумулятором знято, перед регулюванням або перевіркою функціонування інструмента.

## Встановлення та зняття касети з акумулятором

**⚠ОБЕРЕЖНО:** Завжди вимикайте інструмент перед встановленням або зняттям касети з акумулятором.

**⚠ОБЕРЕЖНО:** Під час встановлення або зняття касети з акумулятором слід міцно тримати інструмент та касету з акумулятором. Якщо ви утримуватимете інструмент та касету з акумулятором недостатньо міцно, вони можуть вислизнути з рук, що може призвести до пошкодження інструмента та касети з акумулятором або може спричинити травми.

► **Рис.1:** 1. Червоний індикатор 2. Кнопка 3. Касета з акумулятором

Щоб зняти касету з акумулятором, слід витягнути її з інструмента, натиснувши на кнопку в передній частині касети.

Щоб установити касету з акумулятором, слід сумістити виступ на касеті з акумулятором із пазом у корпусі та вставити касету на місце. Її необхідно вставити повністю, аж доки не почуєте клацання. Якщо на верхній частині кнопки помітний червоний індикатор, це означає, що касета з акумулятором установлена не до кінця.

**⚠ОБЕРЕЖНО:** Завжди вставляйте касету з акумулятором повністю, щоб червоний індикатора не було видно. Якщо цього не зробити, касета може випадково випасти з інструмента та завдати травми вам або людям, що знаходяться поряд.

**⚠ОБЕРЕЖНО:** Не встановлюйте касету з акумулятором із зусиллям. Якщо касета не вставляється легко, то це означає, що ви її неправильно вставляєте.

## Система захисту інструмента/акумулятора

Інструмент оснащено системою захисту інструмента/акумулятора. Ця система автоматично вимикає живлення з метою подовження терміну служби інструмента й акумулятора. Інструмент автоматично зупиняється під час роботи, якщо інструмент або акумулятор перебувають у зазначених далі умовах.

### Захист від перевантаження

Цей захист спрацьовує в разі занадто високого споживання струму інструментом у поточному режимі експлуатації. У такому випадку вимкніть інструмент і припиніть роботу, під час виконання якої сталося перевантаження інструмента. Щоб перезапустити інструмент, увімкніть його знову.

### Захист від перегрівання

Цей захист спрацьовує в разі перегрівання інструмента або акумулятора. У такому випадку дайте інструменту й акумулятору охолонути, перш ніж знову ввімкнути інструмент.

### Захист від надмірного розрядження

Цей захист спрацьовує, коли рівень заряду акумулятора стає низьким. У цій ситуації вийміть акумулятор з інструмента й зарядіть його.

## Відображення залишкового заряду акумулятора

Тільки для касет з акумулятором, які мають індикатори

► **Рис.2:** 1. Індикаторні лампи 2. Кнопка перевірки. Натисніть кнопку перевірки на касеті з акумулятором для відображення залишкового ресурсу акумулятора. Індикаторні лампи загоряться на кілька секунд.

Індикаторні лампи			Залишковий ресурс
Горить	Вимк.	Блимає	
			від 75 до 100%
			від 50 до 75%
			від 25 до 50%
			від 0 до 25%
			Зарядіть акумулятор.
			Можливо, акумулятор вийшов з ладу.

**ПРИМІТКА:** Залежно від умов використання та температури оточуючого середовища показання можуть незначним чином відрізнятися від дійсного ресурсу.

**ПРИМІТКА:** Перша (дальня ліва) індикаторна лампа блимає під час роботи захисної системи акумулятора.

## Регулювання нахилу штанги

Штангу можна повернути й зафіксувати під будь-яким потрібним кутом у діапазоні «А» (от  $-5^\circ$  до  $90^\circ$ ), як показано на рисунку. Відрегулюйте кут, щоб домогтися зручного робочого положення. Послабте важіль блокування, піднявши його. Поверніть штангу в потрібне положення й заблокуйте ступорний важіль, щоб надійно зафіксувати штангу.

► **Рис.3:** 1. Важіль блокування 2. Штанга

## Заміна штанги

Стрічки шириною 6 мм (1/4") і 13 мм (1/2") можна встановлювати з додатковими штангами, розрахованими на стрічки відповідної ширини. Відпустіть гвинт, яким фіксується штанга, і замініть стандартний важіль на додатковий, після чого щільно затягніть гвинт.

► **Рис.4:** 1. Гвинт 2. Штанга

## Робота вимикача

**▲ ПОПЕРЕДЖЕННЯ:** З міркувань безпеки цей інструмент оснащено перемикачем блокування у вимкненому положенні, що запобігає довільному запуску інструмента. **ЗАБОРОНЕНО** користуватися інструментом, якщо він вмикається простим натисканням курка вимикача без відпускання перемикача блокування у вимкненому положенні. **ПЕРЕД** подальшим використанням інструмент слід передати до нашого авторизованого сервісного центру для ремонту.

**▲ ОБЕРЕЖНО:** Перш ніж вставляти касету з акумулятором в інструмент, слід перевірити роботу курка вимикача: він має повертатися в положення «OFF» (Вимк.), коли його відпускають. Робота з інструментом, вмикач якого не спрацьовує належним чином, може призвести до втрати контролю над інструментом і до отримання тяжких травм.

**УВАГА:** Не тисніть сильно на курок вимикача, якщо не було відпущено перемикач блокування у вимкненому положенні. Це може призвести до поломки вимикача.

**УВАГА:** Перемикач блокування у вимкненому положенні не можна відпустити, якщо штангу повернуто більш ніж на  $90^\circ$ .

Для запобігання випадковому натисканню курка вимикача передбачено блокування у вимкненому положенні. Натисніть важіль вимикача (A) з боку А, щоб розблокувати курок вимикача, і (B) з боку В, щоб заблокувати.

► **Рис.5:** 1. Перемикач блокування у вимкненому положенні

Щоб запустити інструмент, натисніть курок вимикача. Відпустіть курок вимикача, щоб припинити роботу. Для безперервної роботи натисніть курок вимикача, а потім кнопку блокування. Щоб зупинити інструмент, який працює в режимі заблокованого перемикача, натисніть курок вимикача до кінця, а потім відпустіть його.

► **Рис.6:** 1. Кнопка фіксації 2. Курок вимикача

## Увімкнення переднього підсвічування

**⚠ОБЕРЕЖНО:** Не дивіться на світло або безпосередньо на джерело світла.

Напрямок освітлення можна регулювати в три рівні під кутом 60°. Натисніть на курок вмикача, щоб увімкнути лампу. Щоб вимкнути її, відпустіть курок вмикача. Підсвічування згасне приблизно через 10 секунд після того, як курок вмикача буде відпущено.

► Рис.7: 1. Лампа

**ПРИМІТКА:** У разі перегрівання інструмента освітлення блиматиме протягом однієї хвилини. У цьому випадку слід дати інструментові охолонути, перш ніж продовжувати роботу.

**ПРИМІТКА:** Для очищення скла лампи підсвічування протріть її сухою тканиною. Будьте обережні, щоб не подряпати скло лампи підсвічування, тому що це погіршить освітлювання.

## Диск регулювання швидкості

Швидкість стрічки можна регулювати в діапазоні від 600 м до 1 700 м за хвилину (1 970 - 5 600 футів/хв), повертаючи диск регулювання швидкості й вибираючи номер налаштування від 1 до 5.

Для підвищення швидкості роботи повертайте диск у напрямку цифри 5; для зниження швидкості роботи – у напрямку цифри 1. Виберіть належну швидкість для деталі, яку потрібно шліфувати.

**⚠ОБЕРЕЖНО:** Диск регулювання швидкості можна повертати тільки між цифрами, зазначеними на регуляторі. Не застосовуйте надмірного зусилля, щоб повернути регулятор за межі цього діапазону, інакше регулювання швидкості може не працювати.

► Рис.8: 1. Диск регулювання швидкості

## ЗБОРКА

**⚠ОБЕРЕЖНО:** Обов'язково переконайтеся, що прилад вимкнено, а касету з акумулятором знято, перш ніж проводити будь-які роботи з інструментом.

## Зняття й установлення абразивної стрічки

Потягніть кулачковий важіль назад, щоб послабити натяг стрічки, і зніміть стрічку. Щоб установити стрічку, спочатку встановіть стрічку з одного боку на задній шків, надіньте стрічку з іншого боку на передній шків і переведіть кулачковий важіль у вихідне положення.

► Рис.9: 1. Кулачковий важіль 2. Абразивна стрічка 3. Задній шків 4. Передній шків

## Регулювання положення стрічки

Переконайтеся в тому, що стрічку правильно суміщено зі штангою під час пробного пуску на низькій швидкості. Для центрування положення стрічки використовуйте гвинт із накатаною головкою. Поверніть гвинт за годинниковою стрілкою, щоб нахилити штангу вправо, якщо дивитися на інструмент зі спрямованою вперед штангою, і проти годинникової стрілки – щоб нахилити вліво.

► Рис.10: 1. Штанга 2. Гвинт із накатаною головкою

## Установлення бокової рукоятки

**⚠ОБЕРЕЖНО:** Надійно затягніть гвинт із накатаною головкою перед початком роботи.

**⚠ОБЕРЕЖНО:** Не застосовуйте надмірної зовнішньої сили до бокової рукоятки, оскільки це може призвести до ослаблення фіксації основи рукоятки, у результаті чого інструмент може впасти й спричинити пошкодження або травми за зазначених далі умов:

- Сильний удар по боковій рукоятці під час роботи
- Недбале втримання інструмента однією рукою за бокову рукоятку
- Перенесення інструмента тільки однією рукою за бокову рукоятку

Бокова рукоятка (додаткова рукоятка) допомагає міцно втримувати інструмент під час роботи.

1. Вкрутіть рукоятку в гайку кріплення в основі рукоятки.

► Рис.11: 1. Рукоятка 2. Основа рукоятки 3. Гайка кріплення

2. Відпустіть гвинт із накатаною головкою в основі рукоятки. Прикріпіть основу до циліндричної частини корпусу двигуна, поєднавши стопорний виступ на основі з неглибоким пазом у поверхні корпусу.

Затягніть гвинт із накатаною головкою, щоб закріпити рукоятку.

► Рис.12: 1. Гвинт із накатаною головкою 2. Корпусу двигуна

## Під'єднання до пилососа Makita

**⚠ОБЕРЕЖНО:** Завжди закривайте ковпачок штуцера, коли пилосос не під'єднано до штуцера. Заборонено вставляти палець у штуцер.

**УВАГА:** Перед початком експлуатації прочитайте інструкцію з експлуатації до пилососа.

**ПРИМІТКА:** Для виконання з'єднання, залежно від системи пилососа, можуть знадобитися додаткові передні манжети 22, з'єднання або адаптери інструментів.

Чистішого шліфування можна домогтися, якщо під'єднати стрічкову шліфувальну машину до пилососа Makita.

Відкрийте ковпачок штуцера й установіть штуцер для пилу. Під'єднайте шланг пилососа до штуцера для пилу.

► Рис.13: 1. Штуцер для пилу 2. Передні манжети / з'єднання / адаптер 3. Шланг пилососа 4. Пилосос

## РОБОТА

**⚠ОБЕРЕЖНО:** Зафіксуйте оброблювану деталь хомутами тощо, якщо вона зміщується під час роботи.

**⚠ОБЕРЕЖНО:** Не виконуйте шліфування займистих матеріалів, наприклад алюмінію або магнію. Це може призвести до пожежі, вибуху або небезпеки отримання травм.

**⚠ОБЕРЕЖНО:** Перш ніж вмикати або вимкати інструмент, переконайтеся в тому, що жодна частина шліфувальної стрічки не перебуває на поверхні оброблюваної деталі. Невиконання цієї вимоги може привести до низької якості шліфування, пошкодження стрічки або втрати контролю над інструментом.

**⚠ОБЕРЕЖНО:** Не допускайте контакту частин тіла з обертовими деталями інструмента під час роботи. Завжди контролюйте навколишню ситуацію й присутність сторонніх осіб, і будьте пильні щодо можливих небезпек.

**⚠ОБЕРЕЖНО:** Не намагайтеся втримувати інструмент і експлуатувати його в перевернутому положенні. Це може призвести до важкого нещасного випадку з тілесними ушкодженнями.

Увімкніть інструмент і зачекайте, доки він набере повної швидкості. Міцно тримайте інструмент обома руками. Акратно притисніть інструмент до поверхні оброблюваної деталі й переміщуйте його вперед і назад.

► Рис.14

► Рис.15

Завжди використовуйте діапазон «С» (між кінцем плоского черевика й переднім шківом), як показано на рисунку, для шліфування оброблюваної деталі. Притискайте стрічку до оброблюваної деталі з незначним зусиллям. Надмірний тиск може пошкодити стрічку й скоротити термін служби інструмента.

► Рис.16: 1. Плоский черевик 2. Передній шків

## ТЕХНІЧНЕ ОБСЛУГОВУВАННЯ

**⚠ОБЕРЕЖНО:** Перед здійсненням перевірки або обслуговування завжди перевіряйте, щоб інструмент був вимкнений, а касета з акумулятором була знята.

**УВАГА:** Ніколи не використовуйте газолін, бензин, розріджувач, спирт та подібні речовини. Їх використання може призвести до зміни кольору, деформації або появи тріщин.

Для забезпечення БЕЗПЕКИ та НАДІЙНОСТІ продукції, її ремонт, а також роботи з обслуговування або регулювання повинні виконуватись уповноваженими або заводськими сервісними центрами Makita із використанням запчастин виробництва компанії Makita.

## Зберігання

**⚠ОБЕРЕЖНО:** Будьте обережні, щоб не затиснути пальці під час пересування штанги. Невиконання цієї вимоги може призвести до отримання травм.

Штанга може рухатися під кутом до 160°. Складіть штангу, щоб для зберігання пристрою було потрібно менше місця.

1. Послабте важіль блокування, піднявши його. Поверніть штангу під кутом 90°.
2. Натисніть і утримуйте кнопку повзунка й відрегулюйте кут штанги в діапазоні «В» (від 90° до 160°), як показано на рисунку.

► Рис.17: 1. Важіль блокування 2. Кнопка повзунка 3. Штанга

3. Закріпіть стопорний важіль, щоб зафіксувати штангу.

► Рис.18: 1. Важіль блокування 2. Перемикач блокування у вимкненому положенні

**УВАГА:** Перемикач блокування у вимкненому положенні активується автоматично, якщо штангу повернуто на кут, що перевищує 90°.

## ДОДАТКОВЕ ПРИЛАДДЯ

**⚠ОБЕРЕЖНО:** Це додаткове та допоміжне обладнання рекомендовано використовувати з інструментом Makita, зазначеним у цій інструкції з експлуатації. Використання будь-якого іншого додаткового та допоміжного обладнання може становити небезпеку травмування. Використовуйте додаткове та допоміжне обладнання лише за призначенням.

У разі необхідності отримати допомогу в більш детальному ознайомленні з оснащенням звертайтеся до місцевого сервісного центру Makita.

- Штуцер для пилу в зборі
- Штанга (6, 9, 13 мм (1/4", 3/8", 1/2"))
- Абразивні стрічки
- Пилозахисна кришка в зборі
- Шланг у зборі 28
- Передні манжети
- Оригінальний акумулятор та зарядний пристрій Makita

**ПРИМІТКА:** Деякі елементи списку можуть входити до комплекту інструмента як стандартне приладдя. Вони можуть відрізнятися залежно від країни.

## SPECIFICAȚII

Model:	DBS180
Dimensiunea benzii	9 mm x 533 mm
Viteza benzii	600 - 1.700 m/min
Lungime totală	500 mm *1
Tensiune nominală	18 V cc.
Greutate netă	2,1 kg

\*1. Cu banda abrazivă și cartușul acumulatorului (BL1860B).

- Datorită programului nostru continuu de cercetare și dezvoltare, specificațiile pot fi modificate fără o notificare prealabilă.
- Specificațiile pot varia în funcție de țară.
- Greutatea, cu cartușul acumulatorului, conform procedurii EPTA 01/2014

## Cartușul acumulatorului și încărcătorul aplicabile

Cartușul acumulatorului	BL1815N / BL1820 / BL1820B / BL1830 / BL1830B / BL1840 / BL1840B / BL1850 / BL1850B / BL1860B
Încărcător	DC18RC / DC18RD / DC18RE / DC18SD / DC18SE / DC18SF / DC18SH

- Este posibil ca unele cartușe ale acumulatorilor și încărcătoare menționate mai sus să nu fie disponibile în funcție de regiunea dvs. de reședință.

**⚠️ AVERTIZARE:** Utilizați numai cartușele de acumulator și încărcătoarele enumerate mai sus. Utilizarea oricărui altor cartușe de acumulator și încărcătoare poate duce la rănire și/sau incendiu.

## Destinația de utilizare

Mașina este destinată șlefuirii suprafețelor mari de lemn, plastic și metal, precum și a suprafețelor vopsite.

## Zgomot

Nivelul de zgomot normal ponderat A determinat în conformitate cu EN62841-2-4:

Nivel de presiune acustică ( $L_{pA}$ ): 77 dB(A)

Marjă de eroare (K): 3 dB(A)

**NOTĂ:** Valoarea (valorile) totală(e) a (ale) emisiilor de zgomot declarate a(u) fost măsurată(e) în conformitate cu o metodă de test standard și poate (pot) fi utilizată(e) pentru compararea unei uneelte cu alta.

**NOTĂ:** Valoarea (valorile) totală(e) a (ale) emisiilor de zgomot declarate poate (pot) fi, de asemenea, utilizată(e) într-o evaluare preliminară a expunerii.

**⚠️ AVERTIZARE:** Purtați echipament de protecție pentru urechi.

**⚠️ AVERTIZARE:** Emisiile de zgomot în timpul utilizării efective a unelei electrice poate diferi de valoarea (valorile) nivelului declarat, în funcție de modul în care unealta este utilizată, în special ce fel de piesă este prelucrată.

**⚠️ AVERTIZARE:** Asigurați-vă că identificați măsurile de siguranță pentru a proteja operatorul, acestea fiind bazate pe o estimare a expunerii în condiții reale de utilizare (luând în considerare toate părțile ciclului de operare, precum timpii în care unealta a fost oprită, sau a funcționat în gol, pe lângă timpul de declanșare).

## Vibrații

Valoarea totală a vibrațiilor (suma vectorilor tri-axiali) determinată conform EN62841-2-4:

Mod de lucru: funcționare fără sarcină

Emisie de vibrații ( $a_h$ ): 2,5 m/s<sup>2</sup> sau mai puțin

Marjă de eroare (K): 1,5 m/s<sup>2</sup>

**NOTĂ:** Valoarea (valorile) totală(e) a (ale) nivelului de vibrații declarat a (au) fost măsurată(e) în conformitate cu o metodă de test standard și poate (pot) fi utilizată(e) pentru compararea unei uneelte cu alta.

**NOTĂ:** Valoarea (valorile) totală(e) a (ale) nivelului de vibrații declarat poate (pot) fi, de asemenea, utilizată(e) într-o evaluare preliminară a expunerii.

**⚠️ AVERTIZARE:** Nivelul de vibrații în timpul utilizării efective a unelei electrice poate diferi de valoarea (valorile) nivelului declarat, în funcție de modul în care unealta este utilizată, în special ce fel de piesă este prelucrată.

**⚠️ AVERTIZARE:** Asigurați-vă că identificați măsurile de siguranță pentru a proteja operatorul, acestea fiind bazate pe o estimare a expunerii în condiții reale de utilizare (luând în considerare toate părțile ciclului de operare, precum timpii în care unealta a fost oprită, sau a funcționat în gol, pe lângă timpul de declanșare).

## Declarație de conformitate CE

*Numai pentru țările europene*

Declarația de conformitate CE este inclusă ca Anexa A în acest manual de instrucțiuni.



# AVERTIZĂRI DE SIGURANȚĂ

## Avertismente generale de siguranță pentru mașinile electrice

**▲AVERTIZARE:** Citiți toate avertismentele privind siguranța, instrucțiunile, ilustrațiile și specificațiile furnizate cu această sculă electrică. Nerespectarea integrală a instrucțiunilor de mai jos poate cauza electrocutări, incendii și/sau vătămări corporale grave.

## Păstrați toate avertismentele și instrucțiunile pentru consultări ulterioare.

Termenul „mașină electrică” din avertizări se referă la mașinile dumneavoastră electrice acționate de la rețea (prin cablu) sau cu acumulator (fără cablu).

## AVERTIZĂRI PRIVIND SIGURANȚA PENTRU MAȘINA DE ȘLEFUIT CU BANDĂ

1. **Ventilați corespunzător spațiul de lucru atunci când executați operații de șlefuire.**
2. **Unele materiale conțin substanțe chimice care pot fi toxice. Aveți grijă să nu inhalați praful și evitați contactul cu pielea. Respectați instrucțiunile de siguranță ale furnizorului.**
3. **Folosiți întotdeauna masca de protecție contra prafului adecvată pentru materialul și aplicația la care lucrați.**
4. **Folosiți întotdeauna viziere sau ochelari de protecție. Ochelarii obișnuiți sau ochelarii de soare NU sunt ochelari de protecție.**
5. **Țineți mașina ferm cu ambele mâini.**
6. **Asigurați-vă că banda nu intră în contact cu piesa de prelucrat înainte de a porni comutatorul.**
7. **Nu atingeți cu mâinile piesele în mișcare.**
8. **Nu lăsați mașina în funcțiune. Utilizați mașina numai ținând-o cu mâinile.**
9. **Această mașină nu este etanșă la apă; prin urmare, nu folosiți apă pe suprafața piesei de prelucrat.**

## PĂSTRAȚI ACESTE INSTRUCȚIUNI.

**▲AVERTIZARE:** NU permiteți comodității și familiarizării cu produsul (obținute prin utilizare repetată) să înlocuiască respectarea strictă a normelor de securitate pentru acest produs. **FOLOSIREA INCORECTĂ** sau nerespectarea normelor de securitate din acest manual de instrucțiuni poate provoca vătămări corporale grave.

## Instrucțiuni importante privind siguranța pentru cartușul acumulatorului

1. **Înainte de a folosi cartușul acumulatorului, citiți toate instrucțiunile și atenționările de pe (1) încărcătorul acumulatorului, (2) acumulator și (3) produsul care folosește acumulatorul.**
2. **Nu dezasamblați și nu interveniți asupra cartușului acumulatorului.** Acest lucru poate cauza incendii, căldură excesivă sau explozii.
3. **Dacă timpul de funcționare s-a redus excesiv, întrerupeți imediat funcționarea. Aceasta poate prezenta risc de supraîncălzire, posibile arsuri și chiar explozie.**
4. **Dacă electrolitul pătrunde în ochi, clătiți bine ochii cu apă curată și consultați imediat un medic. Există risc de orbire.**
5. **Nu scurtcircuitați cartușul acumulatorului:**
  - (1) **Nu atingeți bornele cu niciun material conductor.**
  - (2) **Evitați depozitarea cartușului acumulatorului la un loc cu alte obiecte metalice cum ar fi cuie, monede etc.**
  - (3) **Nu expuneți cartușul acumulatorului la apă sau ploaie.**

Un scurtcircuit al acumulatorului poate provoca un flux puternic de curent electric, supraîncălzire, posibile arsuri și chiar defectarea mașinii.

6. **Nu depozitați și nu utilizați mașina și cartușul acumulatorului în locuri în care temperatura poate atinge sau depăși 50 °C (122 °F).**
7. **Nu incinerati cartușul acumulatorului chiar dacă acesta este grav deteriorat sau complet uzat. Cartușul acumulatorului poate exploda în foc.**
8. **Nu introduceți cuie în cartușul acumulatorului, nu îl tăiați, striviți, aruncați sau scăpați și nu îl loviți cu un obiect dur.** Astfel de acțiuni pot provoca incendii, căldură excesivă sau explozii.
9. **Nu utilizați un acumulator deteriorat.**
10. **Acumulatorii Li-Ion încorporați se supun cerințelor Legislației privind substanțele periculoase.** Pentru transporturi comerciale, efectuate de exemplu de către părți terțe, expeditori, trebuie respectate cerințele speciale de ambalare și etichetare. Pentru pregătirea articolului care urmează să fie expedit, este necesară consultarea unui expert în materiale periculoase. Vă rugăm să respectați, de asemenea, reglementările naționale, care pot fi mai detaliate.  
Izolați sau acoperiți contactele deschise și împachetați acumulatorul în așa fel încât să nu se poată mișca în ambalaj.
11. **Atunci când eliminați la deșeurile cartușul acumulatorului, scoateți-l din mașină și eliminați-l într-un loc sigur. Respectați normele naționale privind eliminarea la deșeurile a acumulatorului.**
12. **Utilizați acumulatoroarele numai cu produsele specificate de Makita.** Instalarea acumulatoroarelor în produse neconforme poate cauza incendii, căldură excesivă, explozii sau scurgeri de electrolit.

13. Dacă mașina nu este utilizată o perioadă lungă de timp, acumulatorul trebuie scos din acesta.
14. În timpul utilizării și după aceea, cartușul acumulatorului se poate încălzi, ceea ce poate cauza arsuri sau arsuri la temperaturi scăzute. Fiți atenți la manipularea cartușelor de acumulator atunci când sunt fierbinți.
15. Nu atingeți borna mașinii imediat după utilizare, întrucât se poate încălzi foarte tare și poate provoca arsuri.
16. Nu lăsați să pătrundă așchii, praf sau pământ în borne, în orificii și în canelurile cartușului acumulatorului. Acest lucru poate duce la o performanță slabă sau poate cauza defectarea mașinii sau a cartușului acumulatorului.
17. Nu utilizați cartușul acumulatorului în apropierea liniilor electrice de înaltă tensiune, cu excepția cazului în care mașina suportă utilizarea în apropierea liniilor electrice de înaltă tensiune. Acest lucru poate duce la funcționarea necorespunzătoare sau la defectarea mașinii sau a cartușului acumulatorului.
18. Țineți acumulatorul la distanță de copii.

## PĂSTRAȚI ACESTE INSTRUCȚIUNI.

**ATENȚIE:** Folosiți numai acumulatori Makita originali. Acumulatorii Makita care nu sunt originali și acumulatorii care au suferit modificări se pot aprinde, provocând incendii, leziuni corporale și daune. De asemenea, anulează garanția oferită de Makita pentru unele și încărcătorul Makita.

## Sfaturi pentru obținerea unei durate maxime de exploatare a acumulatorului

1. Încărcați cartușul acumulatorului înainte de a se descărca complet. Întrerupeți întotdeauna funcționarea mașinii și încărcați cartușul acumulatorului când observați o scădere a puterii mașinii.
2. Nu reîncărcați niciodată un acumulator complet încărcat. Supraîncărcarea va scurta durata de exploatare a acumulatorului.
3. Încărcați cartușul acumulatorului la temperatura camerei, între 10 °C - 40 °C (50 °F - 104 °F). Lăsați un acumulator fierbinte să se răcească înainte de a-l încărca.
4. Atunci când nu utilizați cartușul acumulatorului, scoateți-l din mașină sau din încărcător.
5. Încărcați cartușul acumulatorului în cazul în care nu a fost utilizat pe o perioadă mai lungă (mai mult de șase luni).

## DESCRIEREA FUNCȚIILOR

**ATENȚIE:** Asigurați-vă întotdeauna că mașina este oprită și cartușul acumulatorului este scos înainte de a ajusta sau verifica funcționarea mașinii.

## Instalarea sau scoaterea cartușului acumulatorului

**ATENȚIE:** Opriți întotdeauna mașina înainte de montarea sau demontarea cartușului de acumulator.

**ATENȚIE:** Țineți ferm mașina și cartușul acumulatorului la montarea sau demontarea cartușului. În cazul în care nu țineți ferm mașina și cartușul de acumulator, acestea vă pot aluneca din mâini, rezultând defectarea mașinii și cartușului de acumulator, precum și în accidentări personale.

► Fig. 1: 1. Indicator roșu 2. Buton 3. Cartușul acumulatorului

Pentru a scoate cartușul acumulatorului, glisați-l din mașină în timp ce glisați butonul de pe partea frontală a cartușului.

Pentru a instala cartușul acumulatorului, aliniați limba de pe cartușul acumulatorului cu canelura din carcasă și introduceți-l în locaș. Introduceți-l complet, până când se înclichează în locaș. Dacă puteți vedea indicatorul roșu din partea superioară a butonului, acesta nu este blocat complet.

**ATENȚIE:** Instalați întotdeauna cartușul acumulatorului complet, până când indicatorul roșu nu mai este vizibil. În caz contrar, acesta poate cădea accidental din mașină provocând rănirea dumneavoastră sau a persoanelor din jur.

**ATENȚIE:** Nu forțați cartușul acumulatorului la montare. Dacă acesta nu glisează ușor, înseamnă că a fost introdus incorect.

## Sistem de protecție mașină/acumulator

Mașina este prevăzută cu un sistem de protecție mașină/acumulator. Acest sistem întrerupe automat alimentarea cu energie pentru a extinde durata de funcționare a mașinii și acumulatorului. Mașina se va opri automat în timpul funcționării dacă mașina sau acumulatorul se află într-una din situațiile următoare:

### Protecție la suprasarcină

Acest sistem de protecție funcționează atunci când mașina este acționată într-o manieră care determină atragerea unui curent de o intensitate anormal de ridicată. În această situație, opriți mașina și întrerupeți aplicația care a dus la suprasolicitarea mașinii. Apoi, reporniți mașina.

### Protecție la supraîncălzire

Acest sistem de protecție funcționează atunci când mașina sau acumulatorul se supraîncălzește. În această situație, lăsați mașina și acumulatorul să se răcească înainte de a reporni mașina.

## Protecție la supradescărcare











Acest sistem de protecție funcționează atunci când capacitatea rămasă a acumulatorului este scăzută. În această situație, scoateți acumulatorul din mașină și încărcați-l.

### Indicarea capacității rămase a acumulatorului

**Numai pentru cartușe de acumulator cu indicator**

► **Fig.2:** 1. Lămpi indicatoare 2. Buton de verificare

Apăsați butonul de verificare de pe cartușul acumulatorului, astfel încât să se indice capacitățile rămase ale acumulatorului. Lămpile indicatorului vor lumina timp de câteva secunde.

Lămpi indicatoare			Capacitate rămasă
Iluminat	Oprit	Iluminare intermitentă	
			
			Între 75% și 100%
			Între 50% și 75%
			Între 25% și 50%
			Între 0% și 25%
			Încărcați acumulatorul.
 ↑ ↓ 			Este posibil ca acumulatorul să fie defect.

**NOTĂ:** În funcție de condițiile de utilizare și temperatura ambientală, indicația poate fi ușor diferită de capacitatea reală.

**NOTĂ:** Prima lampă indicatoare (extremitatea stângă) va lumina intermitent când sistemul de protecție a acumulatorului funcționează.

### Reglarea înclinației brațului

Brațul poate fi rotit și fixat în orice unghi în intervalul „A” (-5° până la 90°) din figură. Reglați unghiul într-o poziție de lucru confortabilă.

Slăbiți pârghia de blocare ridicând-o. Rotiți brațul în poziția dorită și fixați pârghia de blocare pentru a fixa brațul bine.

► **Fig.3:** 1. Pârghie de blocare 2. Braț

### Braț de înlocuire

6 mm (1/4”) și 13 mm (1/2”) împreună cu brațele opționale concepute pentru lățimile de bandă corespunzătoare. Slăbiți șurubul care fixează brațul și înlocuiți brațul dotat standard cu brațul opțional, apoi strângeți șuruburile bine.

► **Fig.4:** 1. Șurub 2. Braț

## Aționarea întrerupătorului

**AVERTIZARE:** Pentru siguranța dumneavoastră, această mașină este echipată cu un întrerupător de deblocare care previne pornirea neintenționată a mașinii. Nu utilizați NICIODATĂ mașina dacă aceasta pornește la simpla apăsare a butonului declanșator, fără a elibera întrerupătorul de deblocare. Returnați mașina la un centru de service autorizat pentru efectuarea reparațiilor corespunzătoare ÎNAINTE de a continua utilizarea acesteia.

**ATENȚIE:** Înainte de a monta cartușul acumulatorului în mașină, verificați întotdeauna dacă butonul declanșator funcționează corect și revine în poziția „OFF” (Oprit) când este eliberat. Operarea mașinii cu un întrerupător care nu funcționează corect poate duce la pierderea controlului și la vătămări corporale grave.

**NOTĂ:** Nu trageți puternic butonul declanșator fără a elibera întrerupătorul de deblocare. Întrerupătorul se poate rupe.

**NOTĂ:** Întrerupătorul de deblocare nu poate fi eliberat în timp ce brațul este rotit la 90°.

Pentru a preveni acționarea accidentală a butonului declanșator, mașina este prevăzută cu un întrerupător de deblocare. Apăsați pârghia de comutare (A) din partea A pentru a debloca butonul declanșator și (B) din partea B pentru a-l bloca.

► **Fig.5:** 1. Întrerupător de deblocare

Pentru a porni mașina, trageți butonul declanșator.

Pentru oprire, eliberați butonul declanșator.

Pentru operare continuă, trageți butonul declanșator și apoi apăsați butonul de blocare. Pentru a opri mașina din poziția comutatorului blocat, trageți complet butonul declanșator și apoi eliberați-l.

► **Fig.6:** 1. Buton de blocare 2. Buton declanșator

### Aprinderea lămpii frontale

**ATENȚIE:** Nu priviți direct în raza sau în sursa de lumină.

Dirjecția de iluminare poate fi reglată la trei niveluri, într-un unghi de 60°. Trageți butonul declanșator pentru a aprinde lampa. Pentru stingere, eliberați-l. Lampa se stinge la aproximativ 10 secunde de la eliberarea butonului declanșator.

► **Fig.7:** 1. Lampă

**NOTĂ:** Când mașina este supraîncălzită, indicatorul luminează intermitent timp de un minut. În acest caz, lăsați mașina să se răcească înainte de a o utiliza din nou.

**NOTĂ:** Folosiți o lavetă uscată pentru a șterge murdăria de pe lentila lămpii. Aveți grijă să nu zgăriați lentila lămpii deoarece, în caz contrar, iluminarea va fi redusă.

## Disc rotativ pentru reglarea vitezei

Viteza benzii poate fi reglată între 600 m și 1.700 m pe minut. (1.970 - 5.600 ft/min) prin rotirea discului rotativ pentru reglarea vitezei la un anumit număr al setării de la 1 la 5. Viteza mai mare se obține atunci când discul este rotit în direcția numărului 5; viteza mai mică este obținută prin rotirea discului în direcția numărului 1. Selectați viteza corectă pentru piesa de prelucrat care trebuie șlefuită.

**⚠ATENȚIE:** Discul rotativ pentru reglarea vitezei poate fi rotit doar între numerele indicate pe discul rotativ. Nu aplicați forță excesivă pentru a roti discul rotativ în afara acestui interval; în caz contrar, este posibil ca reglarea vitezei să nu funcționeze.

► Fig.8: 1. Disc rotativ pentru reglarea vitezei

## ASAMBLARE

**⚠ATENȚIE:** Asigurați-vă întotdeauna că mașina este oprită și cartușul acumulatorului este scos înainte de a executa orice lucrări la mașină.

## Scoaterea și montarea benzii abrazive

Trageți înapoi pârghia-camă pentru a elibera tensiunea din bandă, apoi scoateți banda.

Pentru a monta banda, poziționați mai întâi o parte a benzii peste roata de transmisie din spate, prindeți cu cârligul cealaltă parte peste partea frontală a roții de transmisie și apoi fixați pârghia-camă în poziția inițială.

► Fig.9: 1. Pârghia-camă 2. Bandă abrazivă 3. Roata de transmisie din spate 4. Roată de transmisie frontală

## Reglarea cursei benzii

Asigurați-vă că banda este aliniată cu brațul în mod corespunzător efectuând un test la viteză mică.

Utilizați șurubul cu cap striat pentru a centra cursa benzii. Rotiți șurubul în sens orar pentru a înclina brațul spre dreapta atunci când vă uitați în jos la mașină, cu brațul său orientat în față, și în sens antiorar spre stânga.

► Fig.10: 1. Braț 2. Șurub cu cap striat

## Instalarea mânerului lateral

**⚠ATENȚIE:** Strângeți bine șurubul cu cap striat înainte de operare.

**⚠ATENȚIE:** Evitați aplicarea unei forțe externe puternice pe mânerul lateral; în caz contrar, prinderea bazei mânerului este slăbită, iar mașina poate cădea, provocând daune sau accidente în condițiile următoare:

- Aplicarea unui impact complet asupra mânerului lateral în timpul funcționării
- Manevrarea mașinii în mod neglijent, ținând mânerul lateral doar cu o mână
- Transportarea mașinii ținând mânerul lateral doar cu o mână

Datorită mânerului lateral (mânerul auxiliar), mașina poate fi ținută bine în timpul funcționării.

1. Înșurubați maneta în piulița de fixare de pe baza mânerului.

► Fig.11: 1. Manetă 2. Baza mânerului 3. Piulița de fixare

2. Slăbiți șurubul cu cap striat de pe baza mânerului. Atașați baza la țeava carcasi motorului, aliniind clapeta de blocare de pe bază cu canelura superficială de pe suprafața carcasi.

Strângeți șurubul cu cap striat pentru a fixa mânerul.

► Fig.12: 1. Șurub cu cap striat 2. Carcasa motorului

## Conectarea la aspiratorul Makita

**⚠ATENȚIE:** Închideți întotdeauna capacul duzei atunci când nu este conectat niciun aspirator la duză. Nu introduceți niciodată degetul în duză.

**NOTĂ:** Citiți manualul de instrucțiuni furnizat împreună cu aspiratorul dumneavoastră înainte de a-l folosi.

**NOTĂ:** Garniturile frontale opționale 22, îmbinările sau adaptoarele mașinii pot fi necesare pentru a face legăturile în funcție de sistemul aspiratorului dumneavoastră.

Prin conectarea mașinii de șlefuit cu bandă la aspiratorul Makita se pot efectua operațiuni de șlefuire mai curate.

Deschideți capacul duzei și montați duza de praf.

Conectați furtunul unui aspirator la duza de praf.

► Fig.13: 1. Duză de praf 2. Garnituri frontale/îmbinare/adaptor 3. Furtunul aspiratorului 4. Aspirator

## OPERAREA

**⚠ATENȚIE:** Fixați piesa de prelucrat cu cleme etc. dacă există posibilitatea ca aceasta să se miște în timpul funcționării.

**⚠ATENȚIE:** Evitați efectuarea oricăror operații de șlefuire pe materiale inflamabile, precum aluminiu sau magneziu. Aceasta poate conduce la un incendiu, la explozie sau la riscul de rănire.

**⚠ATENȚIE:** Asigurați-vă că nicio parte a benzii de șlefuit nu este poziționată pe suprafața piesei de prelucrat înainte de a porni sau de a opri mașina. În caz contrar, este posibil ca finisajul operațiunii de șlefuire să fie deficitar, banda să se deterioreze sau să pierdeți controlul mașinii.

**⚠ATENȚIE:** Evitați contactul corpului cu banda și cu părțile mașinii care se rotesc în timpul funcționării. Fiți atenți mereu la ceea ce se întâmplă în jur, la persoanele aflate în apropiere și la eventualele pericole.

**⚠ATENȚIE:** Nu încercați să țineți sau să utilizați mașina în poziție răsturnată. Acest lucru poate conduce la accidente grave, care pot produce vătămări corporale.

Porniți mașina și așteptați să atingă viteza maximă. Țineți mașina ferm cu ambele mâini. Poziționați cu grijă mașina pe suprafața piesei de prelucrat și mișcați mașina înainte și înapoi.

► Fig.14

► Fig.15

Utilizați întotdeauna intervalul „C” (între capătul tălpii plate și roata de transmisie frontală) din figură pentru a șlefui piesa de prelucrat.

Apăsăți banda ușor pe piesa de prelucrat. Presiunea excesivă poate deteriora banda și poate scurta durata de viață a mașinii.

► Fig.16: 1. Talpă plată 2. Roată de transmisie frontală

## ÎNȚREȚINERE

**ATENȚIE:** Asigurați-vă întotdeauna că mașina este oprită și cartușul acumulatorului scos înainte de a executa lucrările de inspecție și întreținere.

**NOTĂ:** Nu utilizați niciodată gazolină, benzină, diluant, alcool sau alte substanțe asemănătoare. În caz contrar, pot rezulta decolorări, deformări sau fisuri.

Pentru a menține SIGURANȚA și FIABILITATEA produsului, reparațiile și orice alte lucrări de întreținere sau reglare trebuie executate de centre de service Makita autorizate sau proprii, folosind întotdeauna piese de schimb Makita.

## Depozitare

**ATENȚIE:** Aveți grijă să nu vă prindeți degetele atunci când mișcați brațul. În caz contrar, există pericol de vătămare corporală.

Brațul poate fi deplasat într-un unghi de până la 160°. Pliati brațul în sus pentru a economisi spațiu de depozitare.

1. Slăbiți pârghia de blocare ridicând-o. Rotiți brațul la un unghi de 90°.
2. Împingeți și glisați butonul rotativ de glisare și apoi reglați unghiul brațului în intervalul „B” (90° până la 160°) din figură.

► Fig.17: 1. Pârghie de blocare 2. Buton rotativ de glisare 3. Braț

3. Fixați pârghia de blocare pentru a fixa brațul.

► Fig.18: 1. Pârghie de blocare 2. Întrerupător de deblocare

**NOTĂ:** Întrerupătorul de deblocare se activează automat în timp ce brațul este rotit la 90°.

## ACCESORII OPȚIONALE

**ATENȚIE:** Folosiți accesoriile sau piesele auxiliare recomandate pentru mașina dumneavoastră Makita în acest manual. Utilizarea oricăror alte accesorii sau piese auxiliare poate prezenta risc de vătămare corporală. Utilizați accesorii și piesele auxiliare numai în scopul destinat.

Dacă aveți nevoie de asistență sau de mai multe detalii referitoare la aceste accesorii, adresați-vă centrului local de service Makita.

- Ansamblu duză de praf
- Braț (6, 9, 13 mm (1/4", 3/8", 1/2"))
- Benzi abrazive
- Set capac de protecție contra prafului
- Set furtun 28
- Garnituri frontale
- Acumulator și încărcător original Makita

**NOTĂ:** Unele articole din listă pot fi incluse ca accesorii standard în ambalajul de scule. Acestea pot diferi în funcție de țară.

## TECHNISCHE DATEN

<b>Modell:</b>	<b>DBS180</b>
Schleifbandgröße	9 mm x 533 mm
Schleifbandgeschwindigkeit	600 - 1.700 m/min
Gesamtlänge	500 mm *1
Nennspannung	18 V Gleichstrom
Nettogewicht	2,1 kg

\*1. Mit Schleifband und Akku (BL1860B).

- Wir behalten uns vor, Änderungen der technischen Daten im Zuge der Entwicklung und des technischen Fortschritts ohne vorherige Ankündigung vorzunehmen.
- Die technischen Daten können von Land zu Land unterschiedlich sein.
- Gewicht mit Akku nach EPTA-Verfahren 01/2014

### Zutreffende Akkus und Ladegeräte

Akku	BL1815N / BL1820 / BL1820B / BL1830 / BL1830B / BL1840 / BL1840B / BL1850 / BL1850B / BL1860B
Ladegerät	DC18RC / DC18RD / DC18RE / DC18SD / DC18SE / DC18SF / DC18SH

- Einige der oben aufgelisteten Akkus und Ladegeräte sind je nach Ihrem Wohngebiet eventuell nicht erhältlich.

**⚠️ WARNUNG:** Verwenden Sie nur die oben aufgeführten Akkus und Ladegeräte. Bei Verwendung irgendwelcher anderer Akkus und Ladegeräte besteht Verletzungs- und/oder Brandgefahr.

### Vorgesehene Verwendung

Das Werkzeug ist für das Schleifen großer Flächen von Holz, Kunststoff und Metallmaterial sowie von lackierten Oberflächen vorgesehen.

### Geräusch

Typischer A-bewerteter Geräuschpegel ermittelt gemäß EN62841-2-4:  
Schalldruckpegel ( $L_{pA}$ ): 77 dB (A)  
Messunsicherheit (K): 3 dB (A)

**HINWEIS:** Der (Die) angegebene(n) Schallemissionswert(e) wurde(n) im Einklang mit der Standardprüfmethode gemessen und kann (können) für den Vergleich zwischen Werkzeugen herangezogen werden.

**HINWEIS:** Der (Die) angegebene(n) Schallemissionswert(e) kann (können) auch für eine Vorbewertung des Gefährdungsgrads verwendet werden.

**⚠️ WARNUNG:** Einen Gehörschutz tragen.

**⚠️ WARNUNG:** Die Schallemission während der tatsächlichen Benutzung des Elektrowerkzeugs kann je nach der Benutzungsweise des Werkzeugs, und speziell je nach der Art des bearbeiteten Werkstücks, von dem (den) angegebenen Wert(en) abweichen.

**⚠️ WARNUNG:** Identifizieren Sie Sicherheitsmaßnahmen zum Schutz des Benutzers anhand einer Schätzung des Gefährdungsgrads unter den tatsächlichen Benutzungsbedingungen (unter Berücksichtigung aller Phasen des Arbeitszyklus, wie z. B. Ausschalt- und Leerlaufzeiten des Werkzeugs zusätzlich zur Betriebszeit).

### Schwingungen

Schwingungsgesamtwert (Drei-Achsen-Vektorsumme) ermittelt gemäß EN62841-2-4:  
Arbeitsmodus: Leerlaufbetrieb  
Schwingungsemission ( $a_{h1}$ ): 2,5 m/s<sup>2</sup> oder weniger  
Messunsicherheit (K): 1,5 m/s<sup>2</sup>

**HINWEIS:** Der (Die) angegebene(n) Vibrationsgesamtwert(e) wurde(n) im Einklang mit der Standardprüfmethode gemessen und kann (können) für den Vergleich zwischen Werkzeugen herangezogen werden.

**HINWEIS:** Der (Die) angegebene(n) Vibrationsgesamtwert(e) kann (können) auch für eine Vorbewertung des Gefährdungsgrads verwendet werden.

**⚠️ WARNUNG:** Die Vibrationsemission während der tatsächlichen Benutzung des Elektrowerkzeugs kann je nach der Benutzungsweise des Werkzeugs, und speziell je nach der Art des bearbeiteten Werkstücks, von dem (den) angegebenen Emissionswert(en) abweichen.

**⚠️ WARNUNG:** Identifizieren Sie Sicherheitsmaßnahmen zum Schutz des Benutzers anhand einer Schätzung des Gefährdungsgrads unter den tatsächlichen Benutzungsbedingungen (unter Berücksichtigung aller Phasen des Arbeitszyklus, wie z. B. Ausschalt- und Leerlaufzeiten des Werkzeugs zusätzlich zur Betriebszeit).

## EG-Konformitätserklärung

*Nur für europäische Länder*

Die EG-Konformitätserklärung ist als Anhang A in dieser Bedienungsanleitung enthalten.

## SICHERHEITSWARNUNGEN

### Allgemeine Sicherheitswarnungen für Elektrowerkzeuge

**⚠️ WARNUNG:** Lesen Sie alle mit diesem Elektrowerkzeug gelieferten Sicherheitswarnungen, Anweisungen, Abbildungen und technischen Daten durch. Eine Missachtung der unten aufgeführten Anweisungen kann zu einem elektrischen Schlag, Brand und/oder schweren Verletzungen führen.

### Bewahren Sie alle Warnungen und Anweisungen für spätere Bezugnahme auf.

Der Ausdruck „Elektrowerkzeug“ in den Warnhinweisen bezieht sich auf Ihr mit Netzstrom (mit Kabel) oder Akku (ohne Kabel) betriebenes Elektrowerkzeug.

### SICHERHEITSWARNUNGEN FÜR AKKU-BANDFEILE

1. Sorgen Sie für ausreichende Belüftung des Arbeitsplatzes beim Schleifen.
2. Manche Materialien können giftige Chemikalien enthalten. Treffen Sie Sicherheitsmaßnahmen, um das Einatmen von Arbeitsstaub und Hautkontakt zu verhindern. Befolgen Sie die Sicherheitsdaten des Materialherstellers.
3. Verwenden Sie stets die korrekte Staubschutz-/Atemmaske für das jeweilige Material und die Anwendung.
4. Tragen Sie stets eine Sicherheits- oder Schutzbrille. Eine gewöhnliche Brille oder Sonnenbrille ist KEIN Ersatz für eine Sicherheitsbrille.
5. Halten Sie das Werkzeug mit beiden Händen fest.
6. Vergewissern Sie sich vor dem Einschalten des Werkzeugs, dass das Schleifband nicht das Werkstück berührt.

7. Halten Sie Ihre Hände von rotierenden Teilen fern.
8. Lassen Sie das Werkzeug nicht unbeaufsichtigt laufen. Benutzen Sie das Werkzeug nur im handgeführten Einsatz.
9. Dieses Werkzeug ist nicht wasserdicht. Benetzen Sie daher die Bearbeitungsfläche nicht mit Wasser.

## DIESE ANWEISUNGEN AUFBEWAHREN.

**⚠️ WARNUNG:** Lassen Sie sich NICHT durch Bequemlichkeit oder Vertrautheit mit dem Produkt (durch wiederholten Gebrauch erworben) von der strikten Einhaltung der Sicherheitsregeln für das vorliegende Produkt abhalten. MISSBRAUCH oder Missachtung der Sicherheitsvorschriften in dieser Anleitung können schwere Personenschäden verursachen.

### Wichtige Sicherheitsanweisungen für Akku

1. Lesen Sie vor der Benutzung des Akkus alle Anweisungen und Warnhinweise, die an (1) Ladegerät, (2) Akku und (3) Akkuwerkzeug angebracht sind.
2. Unterlassen Sie Zerlegen oder Manipulieren des Akkus. Es kann sonst zu einem Brand, übermäßiger Hitzeentwicklung oder einer Explosion kommen.
3. Falls die Betriebszeit beträchtlich kürzer geworden ist, stellen Sie den Betrieb sofort ein. Anderenfalls besteht die Gefahr von Überhitzung, möglichen Verbrennungen und sogar einer Explosion.
4. Falls Elektrolyt in Ihre Augen gelangt, waschen Sie sie mit sauberem Wasser aus, und begeben Sie sich unverzüglich in ärztliche Behandlung. Anderenfalls können Sie Ihre Sehkraft verlieren.
5. Der Akku darf nicht kurzgeschlossen werden:
  - (1) Die Kontakte dürfen nicht mit leitfähigem Material berührt werden.
  - (2) Lagern Sie den Akku nicht in einem Behälter zusammen mit anderen Metallgegenständen, wie z. B. Nägel, Münzen usw.
  - (3) Setzen Sie den Akku weder Wasser noch Regen aus.Ein Kurzschluss des Akkus verursacht starken Stromfluss, der Überhitzung, mögliche Verbrennungen und einen Defekt zur Folge haben kann.
6. Lagern und benutzen Sie das Werkzeug und den Akku nicht an Orten, an denen die Temperatur 50 °C erreichen oder überschreiten kann.
7. Versuchen Sie niemals, den Akku zu verbrennen, selbst wenn er stark beschädigt oder vollkommen verbraucht ist. Der Akku kann im Feuer explodieren.
8. Unterlassen Sie Nageln, Schneiden, Zerquetschen, Werfen, Fallenlassen des Akkus oder Schlagen des Akkus mit einem harten Gegenstand. Eine solche Handlung kann zu einem Brand, übermäßiger Hitzeentwicklung oder einer Explosion führen.

9. **Benutzen Sie keine beschädigten Akkus.**
10. **Die enthaltenen Lithium-Ionen-Akkus unterliegen den Anforderungen der Gefahrgut-Gesetzgebung.**  
Für kommerzielle Transporte, z. B. durch Dritte oder Spediteure, müssen besondere Anforderungen zu Verpackung und Etikettierung beachtet werden.  
Zur Vorbereitung des zu transportierenden Artikels ist eine Beratung durch einen Experten für Gefahrgut erforderlich. Bitte beachten Sie möglicherweise ausführlichere nationale Vorschriften. Überkleben oder verdecken Sie offene Kontakte, und verpacken Sie den Akku so, dass er sich in der Verpackung nicht umher bewegen kann.
11. **Entfernen Sie den Akku zum Entsorgen vom Werkzeug, und entsorgen Sie ihn an einem sicheren Ort. Befolgen Sie die örtlichen Vorschriften bezüglich der Entsorgung von Akkus.**
12. **Verwenden Sie die Akkus nur mit den von Makita angegebenen Produkten.** Das Einsetzen der Akkus in nicht konforme Produkte kann zu einem Brand, übermäßiger Hitzebildung, einer Explosion oder Auslaufen von Elektrolyt führen.
13. **Soll das Werkzeug längere Zeit nicht benutzt werden, muss der Akku vom Werkzeug entfernt werden.**
14. **Bei und nach dem Gebrauch kann der Akku heiß werden, was Verbrennungen oder Niedertemperaturverbrennungen verursachen kann. Beachten Sie die Handhabung von heißen Akkus.**
15. **Berühren Sie nicht den Anschlusskontakt des Werkzeugs unmittelbar nach dem Gebrauch, da er heiß genug werden kann, um Verbrennungen zu verursachen.**
16. **Achten Sie darauf, dass sich keine Späne, Staub oder Schmutz in den Anschlusskontakten, Löchern und Nuten des Akkus absetzen.** Dies kann zu einer Leistungseinbuße oder Betriebsstörung des Werkzeugs oder des Akkus führen.
17. **Wenn das Werkzeug den Einsatz in der Nähe einer Hochspannungs-Stromleitung nicht unterstützt, benutzen Sie den Akku nicht in der Nähe einer Hochspannungs-Stromleitung.** Dies kann zu einer Funktionsstörung oder Betriebsstörung des Werkzeugs oder des Akkus führen.
18. **Halten Sie die Batterie von Kindern fern.**

## DIESE ANWEISUNGEN AUFBEWAHREN.

**⚠ VORSICHT:** Verwenden Sie nur Original-Makita-Akkus. Die Verwendung von Nicht-Original-Makita-Akkus oder von Akkus, die abgeändert worden sind, kann zum Bersten des Akkus und daraus resultierenden Bränden, Personenschäden und Beschädigung führen. Außerdem wird dadurch die Makita-Garantie für das Makita-Werkzeug und -Ladegerät ungültig.

## Hinweise zur Aufrechterhaltung der maximalen Akku-Nutzungsdauer

1. **Laden Sie den Akku, bevor er vollkommen erschöpft ist. Schalten Sie das Werkzeug stets aus, und laden Sie den Akku, wenn Sie ein Nachlassen der Werkzeugleistung feststellen.**
2. **Unterlassen Sie erneutes Laden eines voll aufgeladenen Akkus. Überladen führt zu einer Verkürzung der Nutzungsdauer des Akkus.**
3. **Laden Sie den Akku bei Raumtemperatur zwischen 10 – 40 °C. Lassen Sie einen heißen Akku abkühlen, bevor Sie ihn laden.**
4. **Wenn Sie den Akku nicht benutzen, nehmen Sie ihn vom Werkzeug oder Ladegerät ab.**
5. **Der Akku muss geladen werden, wenn er lange Zeit (länger als sechs Monate) nicht benutzt wird.**

## FUNKTIONSBESCHREIBUNG

**⚠ VORSICHT:** Vergewissern Sie sich vor der Durchführung von Einstellungen oder Funktionsprüfungen des Werkzeugs stets, dass das Werkzeug ausgeschaltet und der Akku abgenommen ist.

## Anbringen und Abnehmen des Akkus

**⚠ VORSICHT:** Schalten Sie das Werkzeug stets aus, bevor Sie den Akku anbringen oder abnehmen.

**⚠ VORSICHT:** Halten Sie das Werkzeug und den Akku beim Anbringen oder Abnehmen des Akkus sicher fest. Wenn Sie das Werkzeug und den Akku nicht sicher festhalten, können sie Ihnen aus der Hand rutschen, was zu einer Beschädigung des Werkzeugs und des Akkus und zu Körperverletzungen führen kann.

► **Abb.1:** 1. Rote Anzeige 2. Knopf 3. Akku

Ziehen Sie den Akku zum Abnehmen vom Werkzeug ab, während Sie den Knopf an der Vorderseite des Akkus verschieben.

Richten Sie zum Anbringen des Akkus dessen Führungsfeder auf die Nut im Gehäuse aus, und schieben Sie den Akku hinein. Schieben Sie ihn vollständig ein, bis er mit einem hörbaren Klicken einrastet. Falls die rote Anzeige an der Oberseite des Knopfes sichtbar ist, ist der Akku nicht vollständig verriegelt.

**⚠ VORSICHT:** Schieben Sie den Akku stets bis zum Anschlag ein, bis die rote Anzeige nicht mehr sichtbar ist. Anderenfalls kann er aus dem Werkzeug herausfallen und Sie oder umstehende Personen verletzen.

**⚠ VORSICHT:** Unterlassen Sie Gewaltanwendung beim Anbringen des Akkus. Falls der Akku nicht reibungslos hineingleitet, ist er nicht richtig ausgerichtet.



## Werkzeug/Akku-Schutzsystem

Das Werkzeug ist mit einem Werkzeug/Akku-Schutzsystem ausgestattet. Dieses System schaltet die Stromversorgung automatisch ab, um die Lebensdauer von Werkzeug und Akku zu verlängern. Das Werkzeug bleibt während des Betriebs automatisch stehen, wenn das Werkzeug oder der Akku einer der folgenden Bedingungen unterliegt:

### Überlastschutz

Dieser Schutz tritt in Aktion, wenn das Werkzeug auf eine Weise betrieben wird, die eine ungewöhnlich hohe Stromaufnahme bewirkt. Schalten Sie in dieser Situation das Werkzeug aus, und brechen Sie die Arbeit ab, die eine Überlastung des Werkzeugs verursacht hat. Schalten Sie dann das Werkzeug wieder ein, um neu zu starten.

### Überhitzungsschutz

Dieser Schutz tritt in Aktion, wenn das Werkzeug oder der Akku überhitzt wird. Lassen Sie das Werkzeug und den Akku in dieser Situation abkühlen, bevor Sie das Werkzeug wieder einschalten.

### Überentladungsschutz

















Dieser Schutz tritt in Aktion, wenn die Akku-Restkapazität niedrig wird. Nehmen Sie in dieser Situation den Akku vom Werkzeug ab, und laden Sie ihn auf.

## Anzeigen der Akku-Restkapazität

### Nur für Akkus mit Anzeige

► **Abb.2:** 1. Anzeigelampen 2. Prüftaste

Drücken Sie die Prüftaste am Akku, um die Akku-Restkapazität anzuzeigen. Die Anzeigelampen leuchten wenige Sekunden lang auf.

Anzeigelampen			Restkapazität
 Erleuchtet	 Aus	 Blinkend	
			75% bis 100%
			50% bis 75%
			25% bis 50%
			0% bis 25%
			Den Akku aufladen.
			Möglicherweise liegt eine Funktionsstörung im Akku vor.
			

**HINWEIS:** Abhängig von den Benutzungsbedingungen und der Umgebungstemperatur kann die Anzeige geringfügig von der tatsächlichen Kapazität abweichen.

**HINWEIS:** Die erste (äußerste linke) Anzeigelampe blinkt, wenn das Akku-Schutzsystem aktiv ist.

## Einstellen der Armneigung

Der Arm kann geschwenkt und an jedem gewünschten Winkel innerhalb des Bereichs „A“ (-5° bis 90°) in der Abbildung fixiert werden. Stellen Sie den Winkel auf eine bequeme Arbeitsposition ein. Lösen Sie den Sperrhebel durch Anheben. Schwenken Sie den Arm auf die gewünschte Position, und sichern Sie den Sperrhebel, um den Arm sicher zu fixieren.

► **Abb.3:** 1. Sperrhebel 2. Arm

## Austauschen des Arms

Schleifbänder mit einer Breite von 6 mm (1/4") und 13 mm (1/2") können mit den optionalen Armen, die für die entsprechenden Bandbreiten ausgelegt sind, installiert werden. Lösen Sie die Schraube, die den Arm sichert, ersetzen Sie den serienmäßigen Arm durch den optionalen Arm, und ziehen Sie dann die Schraube fest.

► **Abb.4:** 1. Schraube 2. Arm

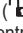

## Schalterfunktion

**⚠️ WARNUNG:** Aus Sicherheitsgründen ist dieses Werkzeug mit einem Einschaltsperrschalter ausgestattet, der unbeabsichtigtes Starten des Werkzeugs verhütet. Betreiben Sie das Werkzeug NIEMALS, wenn es durch bloße Betätigung des Auslöseschalters eingeschaltet werden kann, ohne den Einschaltsperrschalter freizugeben. Lassen Sie das Werkzeug von einem unserer autorisierten Service-Center ordnungsgemäß reparieren, BEVOR Sie es weiter benutzen.

**⚠️ VORSICHT:** Vergewissern Sie sich vor dem Anbringen des Akkus am Werkzeug stets, dass der Auslöseschalter ordnungsgemäß funktioniert und beim Loslassen in die AUS-Stellung zurückkehrt. Der Betrieb eines Werkzeugs mit fehlerhaftem Schalter kann zum Verlust der Kontrolle und zu schweren Personenschäden führen.

**ANMERKUNG:** Betätigen Sie den Auslöseschalter nicht gewaltsam, ohne den Einschaltsperrschalter freizugeben. Dies kann zu einer Beschädigung des Schalters führen.

**ANMERKUNG:** Der Einschaltsperrschalter kann nicht freigegeben werden, wenn der Arm weiter als 90° geschwenkt wird.

Um versehentliche Betätigung des Auslöseschalters zu verhindern, ist das Werkzeug mit einem Einschaltsperrschalter ausgestattet. Drücken Sie den Schalthebel () auf der Seite A hinein, um den Auslöseschalter zu entriegeln, und () auf der Seite B, um ihn zu verriegeln.

► **Abb.5:** 1. Einschaltsperrschalter

Zum Starten des Werkzeugs betätigen Sie den Auslöseschalter. Zum Stoppen lassen Sie den Auslöseschalter los. Für Dauerbetrieb betätigen Sie den Auslöseschalter, und drücken Sie dann den Arretierknopf hinein. Zum Stoppen des Werkzeugs betätigen Sie den Auslöseschalter vollständig, und lassen Sie ihn dann los, um den Schalter auszurasen.

► **Abb.6:** 1. Einschalt-Arretierknopf 2. Auslöseschalter

## Einschalten der Frontlampe

**⚠ VORSICHT:** Blicken Sie nicht direkt in die Lampe oder die Lichtquelle.

Die Beleuchtungsrichtung kann in drei Stufen über einen Winkel von 60° eingestellt werden. Drücken Sie den Auslöseschalter, um die Lampe einzuschalten. Durch Loslassen wird die Lampe ausgeschaltet. Die Lampe erlischt ungefähr 10 Sekunden nach dem Loslassen des Auslöseschalters.

► **Abb.7:** 1. Lampe

**HINWEIS:** Wenn das Werkzeug überhitzt ist, blinkt die Lampe eine Minute lang. Lassen Sie das Werkzeug in diesem Fall abkühlen, bevor Sie die Arbeit fortsetzen.

**HINWEIS:** Wischen Sie Schmutz auf der Lampenlinse mit einem trockenen Tuch ab. Achten Sie sorgfältig darauf, dass Sie die Lampenlinse nicht verkratzen, weil sich sonst die Lichtstärke verringert.

## Geschwindigkeits-Einstellrad

Die Bandgeschwindigkeit kann durch Drehen des Geschwindigkeits-Einstellrads auf eine gegebene Nummernposition von 1 bis 5 zwischen 600 m und 1.700 m pro Minute (1.970 - 5.600 ft/min) eingestellt werden. Durch Drehen des Einstellrads in Richtung der Nummer 5 wird die Geschwindigkeit erhöht, während sie durch Drehen in Richtung 1 verringert wird. Wählen Sie die geeignete Geschwindigkeit für das zu schleifende Werkstück.

**⚠ VORSICHT:** Das Geschwindigkeits-Einstellrad kann nur zwischen den auf dem Einstellrad angegebenen Nummern gedreht werden. Drehen Sie das Einstellrad nicht durch übermäßige Kraftanwendung über diesen Bereich hinaus, weil sonst die Geschwindigkeitseinstellung möglicherweise nicht funktioniert.

► **Abb.8:** 1. Geschwindigkeits-Einstellrad

## MONTAGE

**⚠ VORSICHT:** Vergewissern Sie sich vor der Ausführung von Arbeiten am Werkzeug stets, dass das Werkzeug ausgeschaltet und der Akku abgenommen ist.

## Abnehmen und Anbringen eines Schleifbands

Ziehen Sie den Nockenhebel zurück, um das Schleifband zu lockern, und nehmen Sie das Schleifband ab.

Zum Aufziehen des Schleifbands legen Sie zuerst eine Seite des Schleifbands um die Antriebsrolle, hängen Sie die andere Seite in die Umlenkrolle ein, und stellen Sie dann den Nockenhebel auf die Ausgangsposition zurück.

► **Abb.9:** 1. Nockenhebel 2. Schleifband  
3. Antriebsrolle 4. Umlenkrolle

## Einstellen der Bandspur

Vergewissern Sie sich bei einem Probelauf mit niedriger Geschwindigkeit, dass das Schleifband ordnungsgemäß mit dem Arm fluchtet.

Zentrieren Sie die Bandspur mit Hilfe der Flügelschraube. Drehen Sie die Schraube im Uhrzeigersinn, um den Arm nach rechts zu neigen, wenn Sie bei nach zeigendem Arm von oben auf das Werkzeug blicken, und entgegen dem Uhrzeigersinn, um den Arm nach links zu neigen.

► **Abb.10:** 1. Arm 2. Flügelschraube

## Montieren des Seitengriffs

**⚠ VORSICHT:** Ziehen Sie die Flügelschraube vor dem Betrieb sicher fest.

**⚠ VORSICHT:** Vermeiden Sie das Ausüben einer starken externen Kraft auf den Seitengriff, weil sich sonst die Griffbasis lockert und das Werkzeug herunterfallen kann, wodurch unter den folgenden Bedingungen Sach- oder Personenschäden verursacht werden können:

- Einwirkung eines vollen Aufpralls auf den Seitengriff während des Betriebs
- Fahrlässige Handhabung des Werkzeugs nur mit einer Hand am Seitengriff
- Tragen des Werkzeugs nur mit einer Hand am Seitengriff

Der Seitengriff (Zusatzgriff) trägt zu sicherem Halten des Werkzeugs während des Betriebs bei.

1. Schrauben Sie den Griff in die Befestigungsmutter an der Griffbasis ein.

► **Abb.11:** 1. Griff 2. Griffbasis 3. Befestigungsmutter

2. Lösen Sie die Flügelschraube an der Griffbasis. Befestigen Sie die Basis am Zylinder des Motorgehäuses, indem Sie die Verriegelungslasche an der Basis auf die flache Nut in der Oberfläche des Gehäuses ausrichten. Ziehen Sie die Flügelschraube an, um den Griff zu sichern.

► **Abb.12:** 1. Flügelschraube 2. Motorgehäuse

## Anschließen an ein Makita-Sauggerät

**⚠ VORSICHT:** Schließen Sie immer den Stutzenverschluss, wenn kein Sauggerät an den Stutzen angeschlossen ist. Stecken Sie niemals Ihren Finger in den Stutzen.

**ANMERKUNG:** Lesen Sie vor Gebrauch die Betriebsanleitung Ihres Sauggerätes.

**HINWEIS:** Zum Herstellen von Verbindungen können je nach Ihrem Sauggerätesystem optionale Frontmanschetten 22, Verbindungsstücke oder Werkzeugaadapter erforderlich sein.

Sie können Schleifarbeiten noch sauberer durchführen, indem Sie den Bandschleifer an ein Makita-Sauggerät anschließen. Öffnen Sie den Stutzenverschluss, und montieren Sie den Absaugstutzen.

Schließen Sie den Schlauch eines Sauggerätes an den Absaugstutzen an.

► **Abb.13:** 1. Absaugstutzen 2. Frontmanschetten/Verbindungsstück/Adapter 3. Schlauch des Sauggerätes 4. Sauggerät

## BETRIEB

**⚠ VORSICHT:** Sichern Sie das Werkstück mit Klemmen usw., falls die Möglichkeit besteht, dass es sich während der Arbeit bewegt.

**⚠ VORSICHT:** Vermeiden Sie Schleifarbeiten an entzündlichen Materialien, wie z. B. Aluminium und Magnesium. Es besteht sonst Brand-, Explosions- oder Verletzungsgefahr.

**⚠ VORSICHT:** Vergewissern Sie sich vor dem Ein- oder Ausschalten des Werkzeugs, dass kein Teil des Schleifbands die Oberfläche des Werkstücks berührt. Anderenfalls kann es zu schlechter Schleifqualität, Beschädigung des Schleifbands oder Verlust der Kontrolle über das Werkzeug kommen.

**⚠ VORSICHT:** Vermeiden Sie Körperkontakt mit dem Schleifband und rotierenden Teilen des Werkzeugs während des Betriebs. Achten Sie immer auf Ihre Umgebung und Umstehende, und bleiben Sie für mögliche Gefahren wachsam.

**⚠ VORSICHT:** Versuchen Sie nicht, das Werkzeug umgedreht zu halten und zu betreiben. Es kann sonst zu einem ernsthaften Unfall mit daraus resultierenden Personenschäden kommen.

Schalten Sie das Werkzeug ein und warten Sie, bis es seine volle Geschwindigkeit erreicht. Halten Sie das Werkzeug mit beiden Händen fest. Setzen Sie das Werkzeug sachte auf die Werkstückoberfläche auf, und schieben Sie das Werkzeug vor und zurück.

► **Abb.14**

► **Abb.15**

Verwenden Sie immer den Bereich „C“ (zwischen dem Ende des Flachschuhs und der Umlenkrolle) in der Abbildung zum Schleifen von Werkstücken. Drücken Sie das Schleifband nur leicht gegen das Werkstück. Übermäßiger Druck kann zu einer Beschädigung des Schleifbands und einer Verkürzung der Lebensdauer des Werkzeugs führen.

► **Abb.16:** 1. Flachsuh 2. Umlenkrolle

## WARTUNG

**⚠ VORSICHT:** Vergewissern Sie sich vor der Durchführung von Inspektions- oder Wartungsarbeiten stets, dass das Werkzeug ausgeschaltet und der Akku abgenommen ist.

**ANMERKUNG:** Verwenden Sie auf keinen Fall Benzin, Waschbenzin, Verdünnern, Alkohol oder dergleichen. Solche Mittel können Verfärbung, Verformung oder Rissbildung verursachen.

Um die SICHERHEIT und ZUVERLÄSSIGKEIT dieses Produkts zu gewährleisten, sollten Reparaturen und andere Wartungs- oder Einstellarbeiten nur von Makita-Vertragswerkstätten oder Makita-Kundendienstzentren unter ausschließlicher Verwendung von Makita-Originalersatzteilen ausgeführt werden.

## Lagerung

**⚠ VORSICHT:** Achten Sie beim Schwenken des Arms darauf, dass Ihre Finger nicht eingeklemmt werden. Anderenfalls kann es zu Personenschäden kommen.

Der Arm hat einen Schwenkbereich von bis zu 160°. Klappen Sie den Arm ein, um Stauraum zu sparen.

1. Lösen Sie den Sperrhebel durch Anheben. Schwenken Sie den Arm um einen Winkel von 90°.
2. Halten Sie den Schiebeknopf gedrückt, und stellen Sie dann den Winkel des Arms innerhalb des Bereichs „B“ (90° bis 160°) in der Abbildung ein.

► **Abb.17:** 1. Sperrhebel 2. Schiebeknopf 3. Arm

3. Sichern Sie den Sperrhebel, um den Arm zu fixieren.

► **Abb.18:** 1. Sperrhebel 2. Einschaltsperrschalter

**ANMERKUNG:** Der Einschaltsperrschalter wird automatisch aktiviert, wenn der Arm weiter als 90° geschwenkt wird.

## SONDERZUBEHÖR

**⚠ VORSICHT:** Die folgenden Zubehörteile oder Vorrichtungen werden für den Einsatz mit dem in dieser Anleitung beschriebenen Makita-Werkzeug empfohlen. Die Verwendung anderer Zubehörteile oder Vorrichtungen kann eine Verletzungsgefahr darstellen. Verwenden Sie Zubehörteile oder Vorrichtungen nur für ihren vorgesehenen Zweck.

Wenn Sie weitere Einzelheiten bezüglich dieser Zubehörteile benötigen, wenden Sie sich bitte an Ihre Makita-Kundendienststelle.

- Absaugstutzen
- Arm (6, 9, 13 mm (1/4", 3/8", 1/2"))
- Schleifbänder
- Staubfänger komplett
- Schlauch komplett 28
- Frontmanschetten
- Original-Makita-Akku und -Ladegerät

**HINWEIS:** Manche Teile in der Liste können als Standardzubehör im Werkzeugsatz enthalten sein. Sie können von Land zu Land unterschiedlich sein.

**Makita Europe N.V.** Jan-Baptist Vinkstraat 2,  
3070 Kortenberg, Belgium

**Makita Corporation** 3-11-8, Sumiyoshi-cho,  
Anjo, Aichi 446-8502 Japan

[www.makita.com](http://www.makita.com)

885815-977 EN, PL, HU, SK, CS, UK, RO, DE 20200625
---