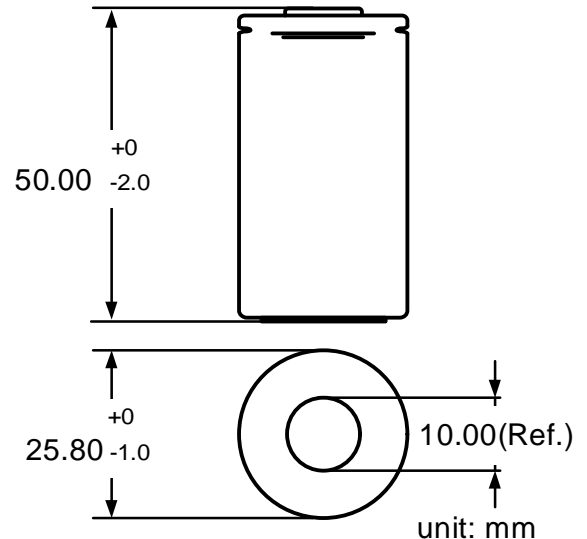
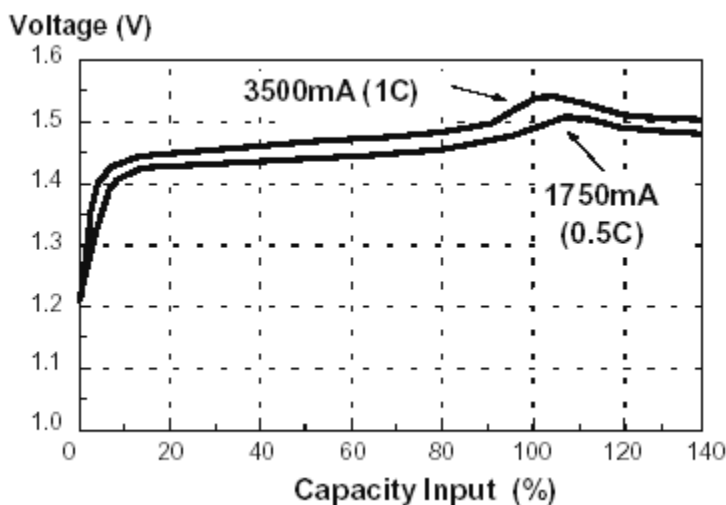


Type	: Rechargeable Nickel Metal Hydride Cylindrical Cell
Nominal Dimension (with Sleeve)	: $\Phi = 25.8\text{mm}$ H = 50.0mm
Applications	: Recommended discharge current 350mA to 29A(Continuous) 58A(Momentary)
Nominal Voltage	: 1.2V
Capacity	: Minimum: 3500mAh Typical: 3850mAh When discharged at 700mA to 1.0V at 20°C
Charging Condition	: 350mA for 16hrs at 20°C
Fast Charge	: 1750mA (0.5C) to 3500mAh(1C) with charge termination control recommended control parameters: - ΔV : 0-5mV DT/dt : 0.8°C/min (0.5C to 0.9C) 0.8-1°C/min (1C) TCO : 45 - 50°C Timer : 105% nominal input (Secondary)
Service Life	: >500 cycles (IEC standard)
Continuous Overcharge	: 350mA maximum current No conspicuous deformation and/or Leakage
Weight	: 78.5g
Internal Resistance	: Average 6m Ω upon fully charged (max 10m Ω) at 1000Hz
Max. Charging Voltage	: 1.5V at 350mA charging
Ambient Temperature Range	: Standard Charge : 0 to 40°C Fast Charging : 10 to 40°C Discharge : -20 to 50°C Storage : -20 to 35°C Storage(1 week) : -20 to 60°C

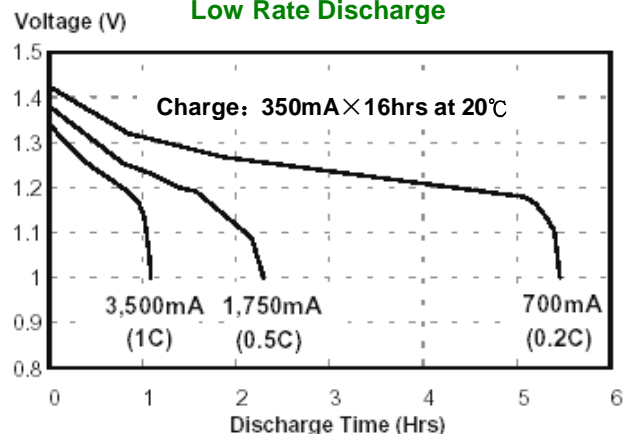
Model No.: GP350CH



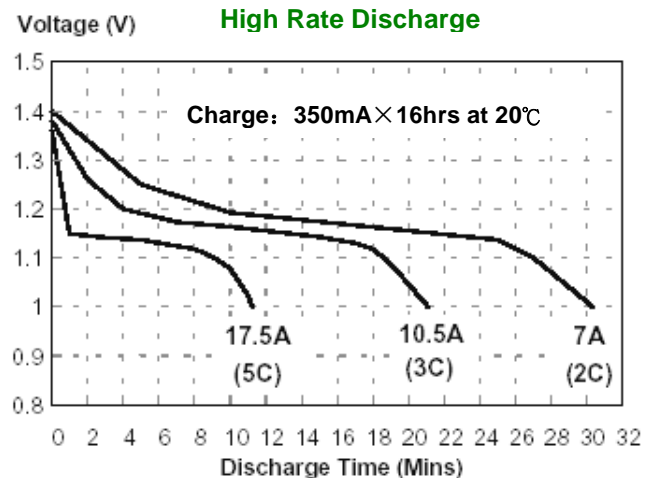
Fast Charge (Charge Control required)



Low Rate Discharge



High Rate Discharge



The information (subject to change without prior notice) contained in this document is for reference only and should not be used as a basis for product guarantee or warranty. For applications other than those described here, please consult your nearest GP Sales and Marketing Office or Distributors.