



USER MANUAL

AUTO CRIB-IT AC SERIES

ENGLISH

ORIGINAL RESQTEC USER MANUAL

RESQTEC[®]

WWW.RESQTEC.COM

1. INTRODUCTION: SAFETY FIRST!	03
1.1. Safety messages	03
1.2. General safety information	03
1.3. Safety information	04
1.4. Product identification	04
1.5. Applicable types	04
2. PRODUCT SUMMARY	05
2.1. Introduction	05
2.2. Product description	05
2.3. Component identification	05
3. PRODUCT RANGE	06
3.1. Products & Accessories	06
4. GENERAL OPERATING INSTRUCTIONS	07
4.1. Initial use	07
4.2. Preparation before use	07
4.3. Operating the product	08
4.4. Returning the Auto Crib-It to default position	09
5. SPECIFICATIONS	10
5.1. Technical specifications	10
5.1.1 <i>SI-system data</i>	10
5.1.2 <i>Imperial system data</i>	10
5.2. Technical drawings	11
5.2.1 <i>SI-system data</i>	11
5.2.2 <i>Imperial system data</i>	12
6. MAINTENANCE & STORAGE	13
6.1. Maintenance after use	13
6.2. Regular maintenance	14
6.3. Annual maintenance	15
6.4. Recommended storage	15
6.5. Decommissioning & recycling	15
7. WARNINGS & LIMITATIONS	16
7.1. General instruction	16
8. TROUBLESHOOTING	17
9. WARRANTY	18
10. DISCLOSURE	19
11. CONTACT	20

1. INTRODUCTION: SAFETY FIRST!

1.1. SAFETY MESSAGES



This manual contains safety messages. They point out potential hazards that could hurt you or others around you as well as damage the equipment in use. These messages should therefore be read carefully and understood. They are highlighted by a safety alert symbol shown on the left.

The potential hazards are explained as to what could happen and how to avoid or reduce injury or damage.



Important information has been highlighted as well. To point out this information, a light bulb icon is used. It brings topics to your attention that could, for example, facilitate maintenance or to clarify when it is advisable to consult your distributor.

1.2. GENERAL SAFETY INFORMATION

The Resqtec rescue equipment is designed to provide safe operation. All users should read and be thoroughly familiar with the operating instructions and safety precautions stated in this manual. Operator safety depends on users being properly trained by the Authority having jurisdiction and using the equipment for its intended purposes only. The following safety precautions must be observed at all times:

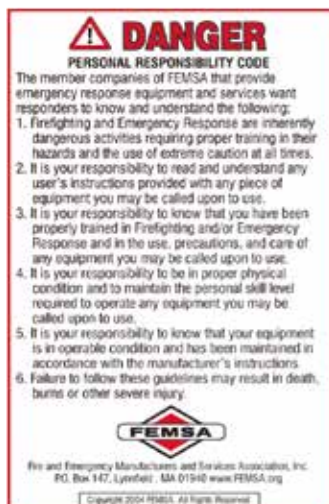


UNTRAINED USE OF RESQTEC EQUIPMENT AND ACCESSORIES MAY RESULT IN VERY DANGEROUS AND POTENTIALLY HARMFUL SITUATIONS. DO NOT ATTEMPT!

- Resqtec rescue equipment shall only be operated by persons authorized and qualified by the Authority having jurisdiction.
- Be aware that this is not an all-encompassing training manual. This manual is meant as a reference-guide for working with this specific equipment, and the user should already be trained and qualified in using rescue equipment.
- Suitable protective equipment shall be worn as directed by the Authority having jurisdiction. At a minimum, this should include gloves, helmet, eye protection, and body protection — such as turnout gear.



- Prior to use, inspect all components for any signs of damage or fraying. Do not use damaged equipment.
- Stay alert. Do not operate the system when tired.
- Use only Resqtec authorized service parts.
- This equipment should only be used with accessories approved by Resqtec. Use of unauthorized accessories can result in unpredictable and unreliable product operation and is prohibited.



1.3. SAFETY INFORMATION

Before using the Equipment and its related products and accessories, conduct an overall size-up of the intended use and safeguard against potential hazards before installing the product. Read and understand this manual before using the equipment.



The WARNING and SAFETY labels on the product alert the user to special hazards inherent with its use. Should they become damaged or unreadable, contact the manufacturer to obtain a replacement.



BEFORE INSTALLING THE PRODUCT, BE AWARE OF THE FOLLOWING:

- Make sure no one on site is in danger or might get, when using Resqtec equipment. Be aware of your surroundings, the situation you and the people around you are in, and what the consequences of the use of the Resqtec system are.
- The product is spring-loaded and can rapidly extend automatically when unlocked. Keep face, hands and other body parts away from its moving parts.
- Do not exceed maximum load ratings (AC14: 8.9kN / 2,000 lbs; AC17: 12.4kN / 2,800 lbs)
- Apply load ONLY to the top Angle Supports
- Prior to use, inspect all Auto Crib-It components for any signs of damage. Do not use damaged equipment.
- Stow in the retracted position with the Auto Crib-It lock engaged.
- Channel Base bottom grip surface is extremely coarse and can scratch surfaces. Avoid contact with such surfaces to prevent unwanted scratches.
- Stay alert. Do not operate the product when tired.

1.4. PRODUCT IDENTIFICATION

Product identification is to make sure that this manual comes with a specific product and that this manual should always be available as a reference guide to that equipment. It is mandatory that this manual is not separated from the product specified below during its service life. This manual comes with Resqtec product type:

AC With serial number:

Distributor/Supplier information:

1.5. APPLICABLE TYPES

This manual covers the following product types:

ARTICLE NUMBER	ITEM DESCRIPTION
8400.0310	AC14
8400.0320	AC17

2. PRODUCT SUMMARY

2.1. INTRODUCTION

Thank you for choosing Resqtec. We are confident that we live up to your expectations. This manual has been compiled carefully to supply the reader with all the necessary information. Read all the instructions before using the product to assure safe and optimal use of the product. These instructions contain aspects relevant to safe and optimal use of the product.

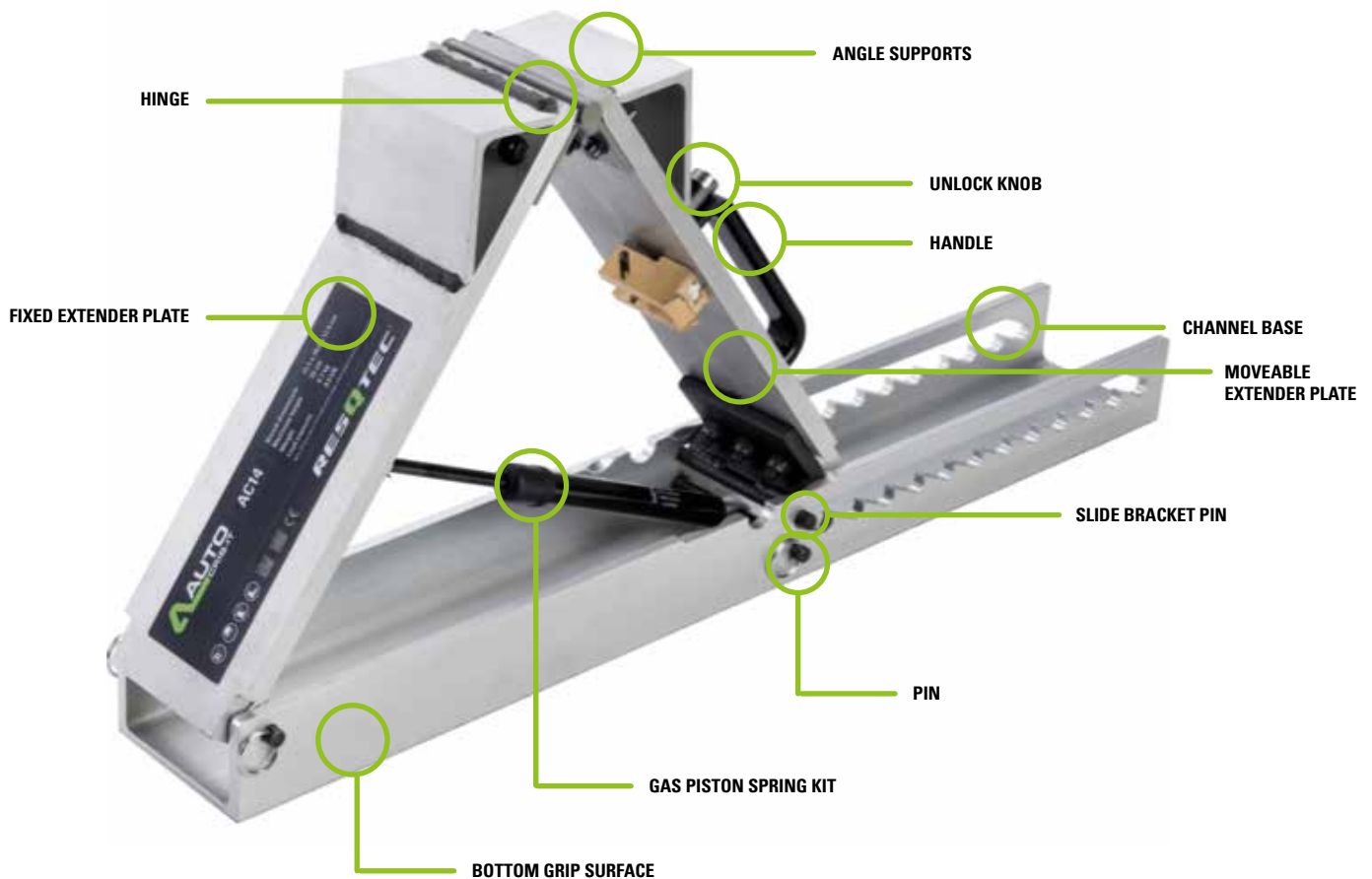
The product has been manufactured by Resqtec Zumro. For addresses, please refer to the last page of this manual or to our internet site at www.resqtec.com.

2.2. PRODUCT DESCRIPTION

The Auto Crib-It has been designed and engineered to assist firefighters, USAR-teams and other rescue workers with the various rescue applications they encounter. We are confident that the design of this product will enable those working in these environments to not only negotiate the obstacles they encounter, but to perform their work more safely.

The Auto Crib-It is made from high-strength aluminum and other metal parts, and utilizes gas-spring actuated extender plates that automatically rise to engage the working material and lock into place. The Auto Crib-It will self-adjust upwards and lock as weight is removed from the vehicle.

2.3. COMPONENT IDENTIFICATION.



3. PRODUCT RANGE
PRODUCTS & ACCESSORIES

ARTICLE NUMBER	ITEM DESCRIPTION	IMAGE
8400.0310	AC14	
8400.0320	AC17	

4. GENERAL OPERATING INSTRUCTIONS

4.1. INITIAL USE

When receiving your equipment check for any sign of damage to the box, and report it to your distributor/supplier as damage could have occurred during shipping. Unpack in upright position and check the product for damage. To make sure the product conforms to your specifications, check the product details on the label.



CHECK THE EQUIPMENT FOR EXTERNAL DAMAGE. NOTIFY YOUR DISTRIBUTOR/SUPPLIER IMMEDIATELY IF ANY DAMAGE IS FOUND. DO NOT USE DAMAGED EQUIPMENT UNDER ANY CIRCUMSTANCE!

In general we distinguish a couple of different types of operations:

- Operating the product
- Returning the Auto Crib-It in default position

4.2. PREPARATION BEFORE USE

<ul style="list-style-type: none"> • Check the product's exterior. Do not use if it exhibits major damage and/or does not function as intended. 	<ul style="list-style-type: none"> • See chapter 6 for further information.
<ul style="list-style-type: none"> • Check the operation of the unlock knob. Pressing it should unlock the moveable extender plate. 	<ul style="list-style-type: none"> • See chapter 6 for further information.
<ul style="list-style-type: none"> • Check the carrying handle. It must be firmly fixed. 	<ul style="list-style-type: none"> • See chapter 6 for further information.
<ul style="list-style-type: none"> • Check the functioning of the gas piston spring kit. It should allow (self) adjustment of the moveable extender plate. 	<ul style="list-style-type: none"> • See chapter 6 for further information.

4.3. OPERATING THE PRODUCT

1

Place the Auto Crib-It under the desired object and engagement point.

2

Press the unlock knob and guide the moveable extender plate upwards until the angle supports contact the engagement point.



THE TOP PLATES ARE SPRING-LOADED AND CAN RAPIDLY EXTEND AUTOMATICALLY WHEN UNLOCKED. KEEP FACE, HANDS AND OTHER BODY PARTS AWAY FROM THE MOVING PARTS.

3

Make sure the slide bracket pin is locked firmly in the channel base.



IT MIGHT BE NEEDED TO MANUALLY LIFT THE OBJECT SLIGHTLY, TO ALLOW THE SLIDE BRACKET PIN TO LOCK FIRMLY IN THE CHANNEL BASE.

4

The Auto Crib-It is now placed.



ALWAYS CARRY THE AUTO CRIB-IT BY ITS CARRYING HANDLE.

4.4. RETURNING THE AUTO CRIB-IT TO DEFAULT POSITION

1

Press the unlock knob.

2

Manually guide the moveable extender plate downwards by either pressing the angle supports or pulling the carrying handle.



First hold the handle to prevent further extension and then remove the applied load from the angle supports.



Make sure the slide bracket pin slides smoothly through the channel base and does not lock in the channel base slots.

3

Make sure the moveable extender plate returns in default (locked) position. A significant click should be heard when back in default (locked) position.



IT MIGHT BE NEEDED TO MANUALLY LIFT THE OBJECT SLIGHTLY, TO ALLOW THE SLIDE BRACKET PIN TO LOCK FIRMLY IN THE CHANNEL BASE.



Avoid getting debris in between the angle supports. This could jam and prevent retraction.

4

The Auto Crib-It is back in default (locked) position.



ALWAYS STORE THE AUTO CRIB-IT IN DEFAULT (LOCKED) POSITION.

5. TECHNICAL SPECIFICATIONS

5.1. TECHNICAL SPECIFICATIONS

5.1.1 SI-SYSTEM DATA

AC14	DATA
Maximum load capacity	8.9 kN
Fully extended length	33.0 cm
Dimensions (L x W x H)	710 x 120 x 113 mm (±10 mm)
Weight	6.7 kg
Automatic locking positions	12

AC17	DATA
Maximum load capacity	12.4 kN
Fully extended length	43.6 cm
Dimensions (L x W x H)	914 x 172 x 121 mm (±10 mm)
Weight	10.9 kg
Automatic locking positions	16

5.1.2 IMPERIAL SYSTEM DATA

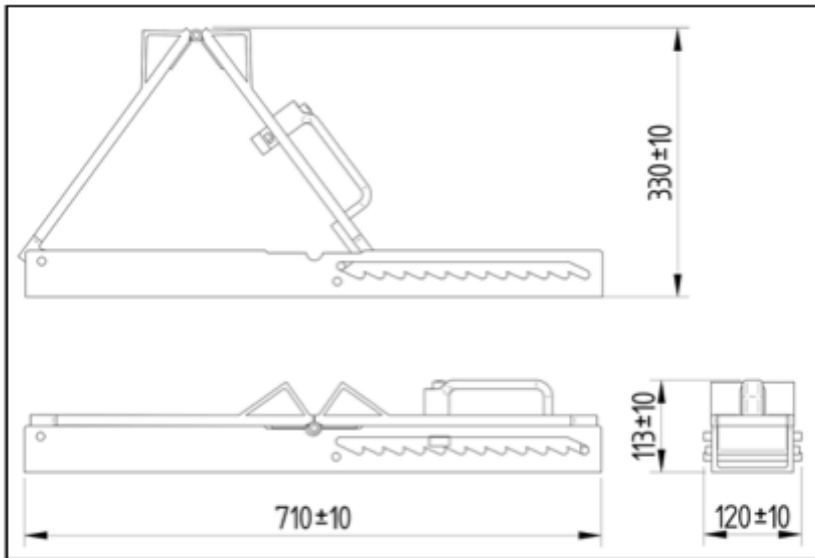
AC14	DATA
Maximum load capacity	2,000 lbs
Fully extended length	13"
Dimensions (L x W x H)	28" x 4" x 2 3/4"
Weight	14.5 lbs
Automatic locking positions	12

AC17	DATA
Maximum load capacity	2,800 lbs
Fully extended length	17"
Dimensions (L x W x H)	36" x 6" x 3"
Weight	23.5 lbs
Automatic locking positions	16

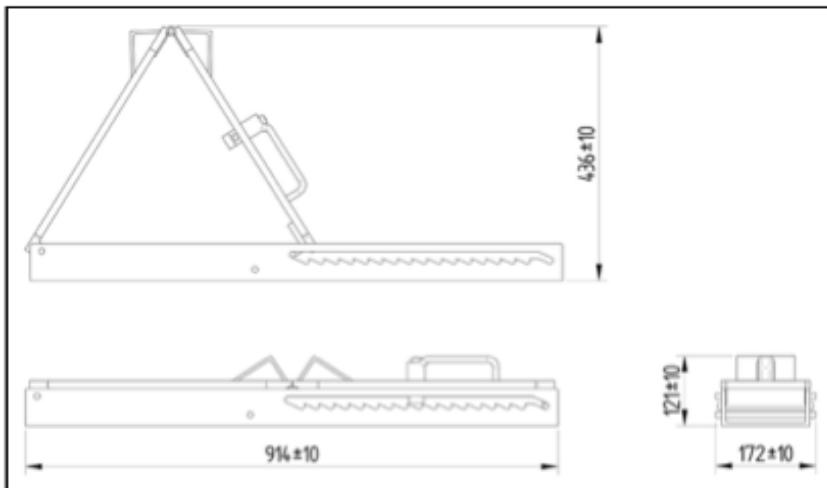
5.2. TECHNICAL DRAWINGS

5.2.1 SI-SYSTEM DATA

AC 14

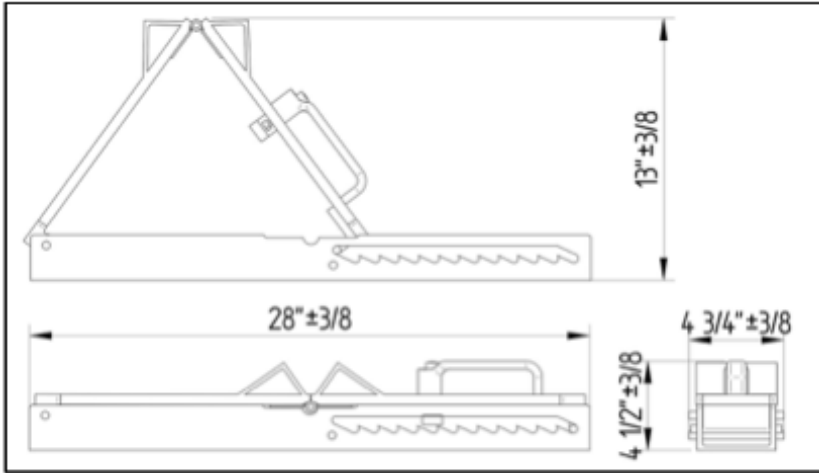


AC 17

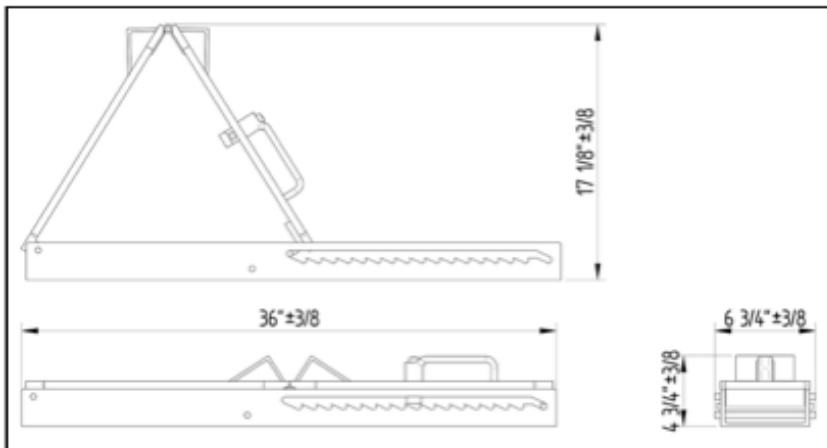


5.2.2 IMPERIAL SYSTEM DATA

AC 14



AC 17



6. MAINTENANCE & STORAGE






Generally speaking it is most important is to keep your equipment clean. Clean equipment will not wear down as fast; hence a longer service life can be achieved.



WEAR PERSONAL PROTECTION EQUIPMENT DURING MAINTENANCE. ENSURE THAT THE USED HYDRAULIC OIL IS COLLECTED AND DISPOSED OF IN A RESPONSIBLE MANNER.

6.1. MAINTENANCE AFTER USE

	ACTION	EXPLANATION	ADDITIONAL INFORMATION
1.	Check the product for any damage.	<ul style="list-style-type: none"> Visually check for damage. 	 If structural damage to the product is discovered, contact your Resqtec distributor/supplier.
2.	Check the unlock knob's functioning.	<ul style="list-style-type: none"> Check whether the Auto Crib-It remains locked when not pushing the unlock knob. Check whether the Auto Crib-It unlocks when pushing the unlock knob. 	 If the unlock knob is not functioning properly, contact your Resqtec distributor/supplier.
3.	Make sure all fasteners are tight	<ul style="list-style-type: none"> Tighten as necessary. <p>Top hinge bolts (x8): 30-40 ft-lbs / 41-54 Nm. Slide pin bolts (x3): 30-40 ft-lbs / 41-54 Nm. Handle screws (x4): 40-50 inch-lbs / 4.5-5.6 Nm. ¼ Turn lock hex nut (x1): 65-75 inch-lbs / 7.3-8.5 Nm. ¼ Turn lock cam screw (x1): 10-15 inch-lbs / 1.1-1.7 Nm.</p>	
4.	Check for smooth automatic operation.	<ul style="list-style-type: none"> Apply WD-40 (or equivalent) to slide pin, fixed pin, channel base slots and hinge. 	 Read instructions carefully before using WD-40.





ATTENTION! A BENT SLIDE PIN OR FIXED PIN WOULD INDICATE THAT THE PRODUCT WAS OVERLOADED.

6.2. REGULAR MAINTENANCE



It is advisable to carry out regular maintenance; depending on the use at least every 3 months or 25 operating hours.

When carrying out regular maintenance one should, in addition to the steps described in chapter 6.1, pay extra attention to the following:

<p>1.</p>	<p>Check for smooth operation.</p>	<ul style="list-style-type: none"> • Verify by extending and retracting the product at least three (3) times. • If necessary, apply WD-40 (or equivalent) to slide pin, fixed pin, channel base slots and hinge. 	<div style="text-align: center;">  </div> <p>Do not use the product if it exhibits major damage.</p>
<p>2.</p>	<p>Check for sufficient spring action.</p>	<ul style="list-style-type: none"> • Replace gas spring piston assembly as necessary. 	<div style="text-align: center;">  </div> <p>Do not use the product if it lacks sufficient spring action.</p>

6.3. ANNUAL MAINTENANCE



Many years of safe use is guaranteed if the product is properly cared for and maintained. To this end the product must be inspected at least once a year. This must be carried out by a service technician trained by Resqtec who possesses the necessary tools and testing equipment.

It is also possible for you, the user, to carry out maintenance yourself. In the context of your own safety and the product liability it is necessary that appropriate training should be undertaken first. Your distributor/supplier can advise you on this and/or attend to the annual maintenance on a contract basis, if desired.



STRUCTURALLY DAMAGED AND/OR BROKEN EQUIPMENT MUST NEVER BE USED DURING RESCUE OPERATIONS. THIS MAY RESULT IN VERY DANGEROUS AND POTENTIALLY HARMFUL SITUATIONS. DO NOT ATTEMPT!

If structural damage and/or broken equipment or parts are discovered, immediately contact your distributor/supplier or the manufacturer.



DO NOT REPAIR ANY BROKEN EQUIPMENT AND/OR PARTS. ALWAYS CONTACT YOUR DISTRIBUTOR/SUPPLIER OR THE MANUFACTURER.

Repairing equipment and/or parts causes your warranty to expire. Always contact your distributor/supplier when broken parts and/or equipment are discovered. Broken equipment and/or parts can then be sent to certified service centers.

6.4. RECOMMENDED STORAGE

The following storage recommendations count for all Auto Crib-It:

- Always store the Auto Crib-It in default (locked) position. See chapter 4.4 for further details.
- If needed, apply an anti-corrosion coating as described in chapter 6.1
- Store out of direct sunlight
- Store the equipment in a dry, well-ventilated area:

Recommended storage temperature range	10 °C – 30 °C / 50 °F – 86 °F
Recommended storage relative humidity	0 – 60%

6.5. DECOMMISSIONING & RECYCLING

The various parts can be re-used at the end of their service life.

The products consist of steel and aluminum. The product contains pressurized components. Consult your distributor / supplier for further information on recycling and/ or follow local regulations on disposal.

7. WARNINGS & LIMITATIONS

7.1. GENERAL INSTRUCTIONS



IF YOU ENCOUNTER ANY PROBLEMS WHILST USING THE PRODUCT, PLEASE ADVISE THE FOLLOWING:

- Resqtec equipment is designed for rescue/salvage operations only and may not be used for industrial purposes.
- Do not try to perform tasks that exceed the specifications of the particular product. The specifications clearly define the product capabilities. Use a more powerful product from the Resqtec series if the situation occurs.
- Do not exceed maximum load ratings (AC14: 8.9kN / 2,000 lbs; AC17: 12.4kN / 2,800 lbs)
- Stow in the retracted position with the Auto Crib-It lock engaged.

8. TROUBLESHOOTING



If you encounter any problems whilst using the product, please advise the following table:

Symptom	Solution
Extender plates will not rise automatically.	<ul style="list-style-type: none"> - Maximum extension is reached: used additional cribbing material to raise the Auto Crib-It starting height. Ensure block cribbing supports the channel base at a minimum of three points along its length (each end and in the center). - Moving parts are dry and require lubrication: apply WD-40 generously to the slide pin, fixed pin, channel base slots and hinge. - Insufficient gas-spring pressure: replace gas spring assembly.
Extender plates will not retract.	<ul style="list-style-type: none"> - Load is still applied to the Auto Crib-It: see chapter 4.4 for further details. - Slide pin is still engaged in channel base slot. See chapter 4.4 for further details. - Material or debris is lodged in between angle support. See chapter 4.4 for further details.



IF YOU CANNOT FIND THE PROBLEM THAT OCCURRED, OR IF THE PROVIDED SOLUTION DIDN'T RESOLVE THE PROBLEM, STOP USING THE PRODUCT IMMEDIATELY AND CONTACT A CERTIFIED DISTRIBUTOR /SUPPLIER OR ONE OF THE RESQTEC OFFICES.

9. WARRANTY

Resqtec offers two years warranty upon the purchase of this product. For extending your warranty or information about the Resqtec service program, please contact your Resqtec distributor/supplier.



WARRANTY IS ONLY VALID IF THE REGULATIONS AND RESTRICTIONS, AS DESCRIBED IN THE USER MANUAL APPLICABLE ON THE USED PRODUCT (S), ARE UNDERSTOOD AND FOLLOWED, AND IF THE MAINTENANCE AS ADVISED IN THE USER MANUAL IS DONE BY AN AUTHORIZED RESQTEC TECHNICIAN. DISREGARDING ANY OF THE APPLICABLE REGULATIONS AND RESTRICTIONS, AS DESCRIBED IN THE USER MANUAL APPLICABLE ON THE USED PRODUCT(S), WILL CAUSE THE WARRANTY TO VOID.

10. DISCLOSURE

All rights reserved. No part of this publication whatsoever may be reproduced without the prior written consent of Resqtec.

All information herein was carefully gathered and examined. However, we cannot be held responsible for eventual mistakes or incompleteness. Resqtec may exercise the right to change or modify parts of the equipment at any time without notification. This manual may be subject to error, revision and technical modifications. For detailed information, and as we constantly improve our equipment, please check the latest specification sheet. This manual is based on and refers to current production models only. Resqtec accepts no liability for any damage and/or injuries resulting from the use of this manual in connection with any equipment which has been or may be supplied. For any additional information concerning the use of the manual or the maintenance or repair of Resqtec equipment, please contact the Resqtec distributor/supplier or an officially appointed distributor/supplier. Utmost care has been taken in the preparation and accuracy of this manual. Resqtec cannot however be held liable for errors, omissions or consequential liabilities in the use of it.

11. CONTACT

ADDRESSES RESQTEC OFFICES

European office

Meer en Duin 82
2163 HC Lisse, the Netherlands
T +31 (0)252 419002
F +31 (0)252 411794

E info@resqtec.com
I www.resqtec.com

USA office

300 Forge Way, Suite 2
Rockaway, New Jersey, 07866
T: +1 973 627 4646
F: +1 973 627 4622

Asia office

Lot 5, Jalan Delima 1/1
Subang Hi-Tech Industrial Park
47 500 Selangor, Malaysia
T +603 5621 5298
F +603 5621 2895

RESQTEC Zumro B.V.

Meer en Duin 82 | 2163 HC Lisse, the Netherlands

T +31 (0)252 419002 **F** +31 (0)252 411794 **E** info@resqtec.com

RESQTEC[®]

WWW.RESQTEC.COM